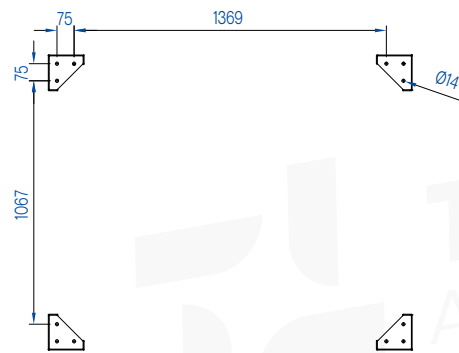
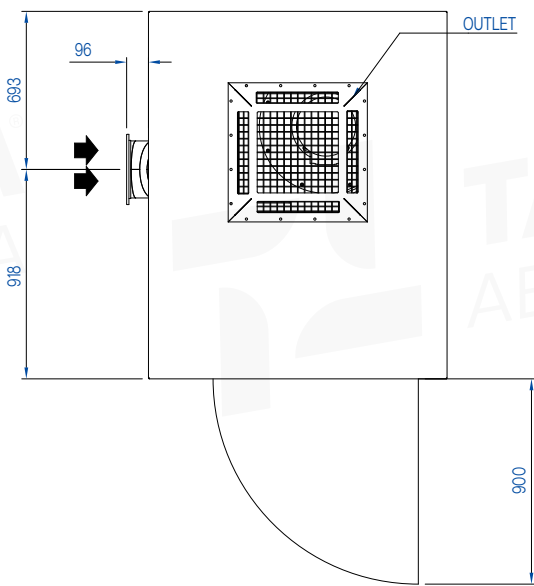
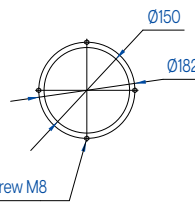


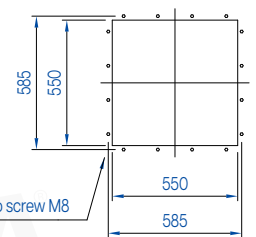
GROUND FASTENING LAYOUT (SECTION A-A)



INLET FLANGE DETAIL

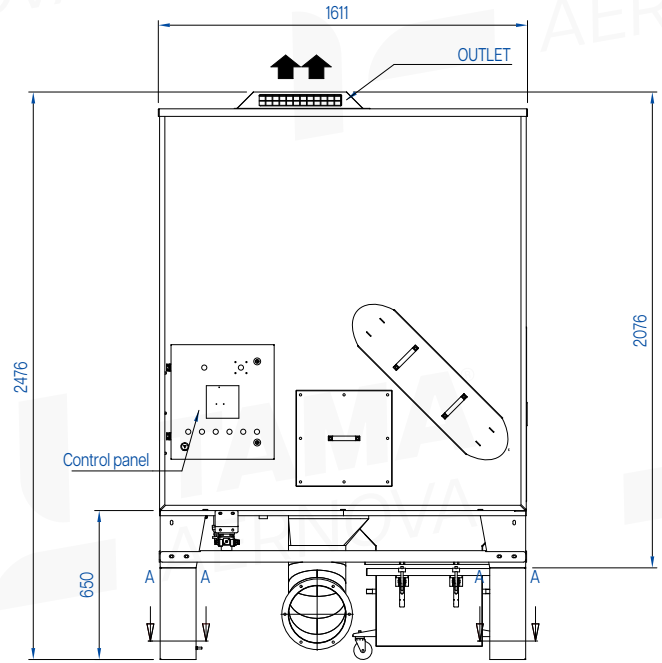
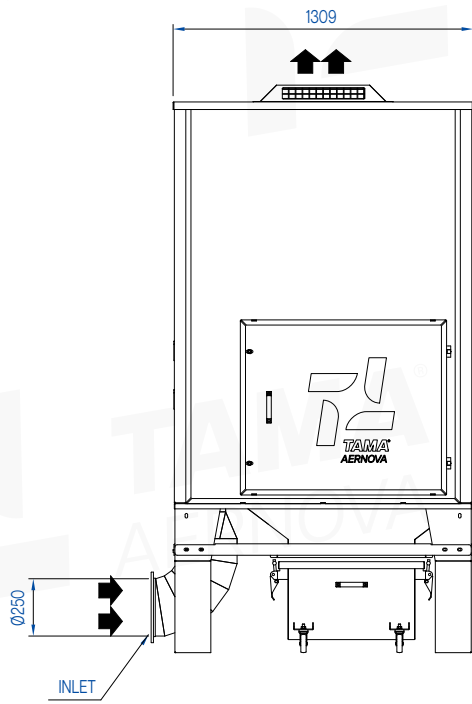


OUTLET FLANGE DETAIL

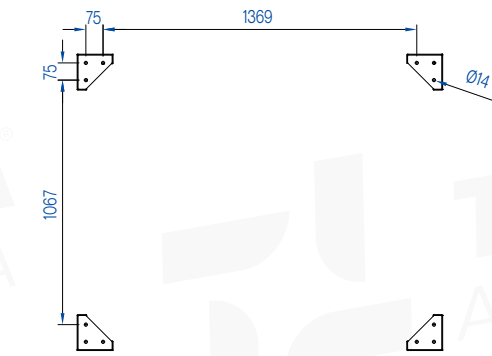
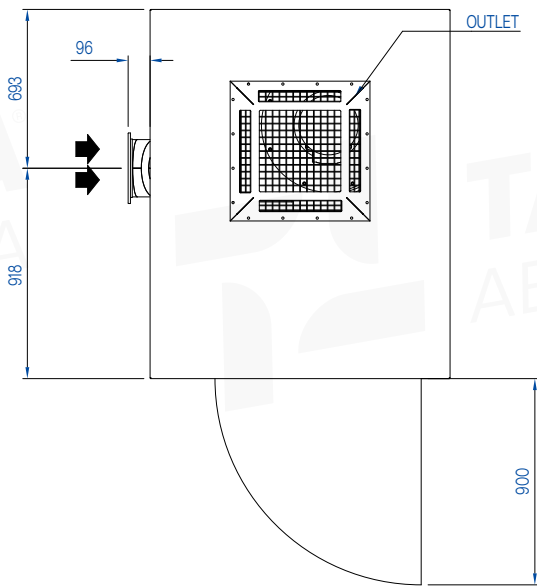


| TECHNICAL SPECIFICATIONS | | OPF-T 1x3 |
|---|--------------------------------------|-----------|
| Weight | kg | 750 |
| Number of filtering elements | nr | 3 |
| Filtering surface | m ² | 63 |
| Filtering efficiency | 99,999% on 0,5 micron dust particles | |
| Max working under pressure | Pa | 5000 |
| Working temperature | °C | -10<T<40 |
| Pneumatic feeding (ISO Class 2.4.1 according to 8573-1:2010) | Ø-bar | 1/2" GAS |
| Electric feeding | 400 V - 50Hz | |
| Cartridges cleaning system | pulse-jet | |
| Number of cleaning valves | nr | 3 |
| Type of cleaning valves | Ø1" - 24 V DC | |
| Compressed air tank working pressure | bar | 4,5 |

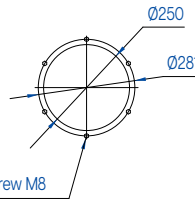
| PERFORMANCE CHARACTERISTICS | | |
|--------------------------------|-------------------|------|
| Nominal air flow | m ³ /h | 1600 |
| Nominal static pressure | Pa | 6500 |
| Nominal fan power | kW | 5,5 |
| Max compressed air consumption | NI/min | 360 |



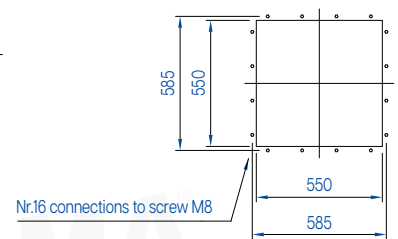
GROUND FASTENING LAYOUT (SECTION A-A)



INLET FLANGE DETAIL



OUTLET FLANGE DETAIL



| TECHNICAL SPECIFICATIONS | | OPF-T 2x2 |
|---|--------------------------------------|-----------|
| Weight | kg | 790 |
| Number of filtering elements | nr | 4 |
| Filtering surface | m ² | 84 |
| Filtering efficiency | 99,999% on 0,5 micron dust particles | |
| Max working under pressure | Pa | 5000 |
| Working temperature | °C | -10<T<40 |
| Pneumatic feeding (ISO Class 2.4.1 according to 8573-1:2010) | Ø-bar | 1/2" GAS |
| Electric feeding | 400 V - 50Hz | |
| Cartridges cleaning system | pulse-jet | |
| Number of cleaning valves | nr | 4 |
| Type of cleaning valves | Ø1" - 24 V DC | |
| Compressed air tank working pressure | bar | 4,5 |

| PERFORMANCE CHARACTERISTICS | | |
|--------------------------------|-------------------|------|
| Nominal air flow | m ³ /h | 3200 |
| Nominal static pressure | Pa | 6900 |
| Nominal fan power | kW | 11 |
| Max compressed air consumption | NI/min | 360 |