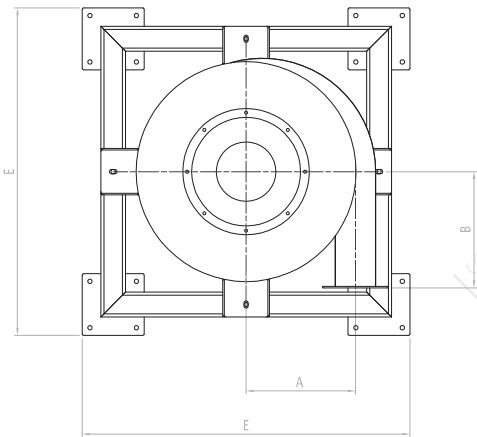
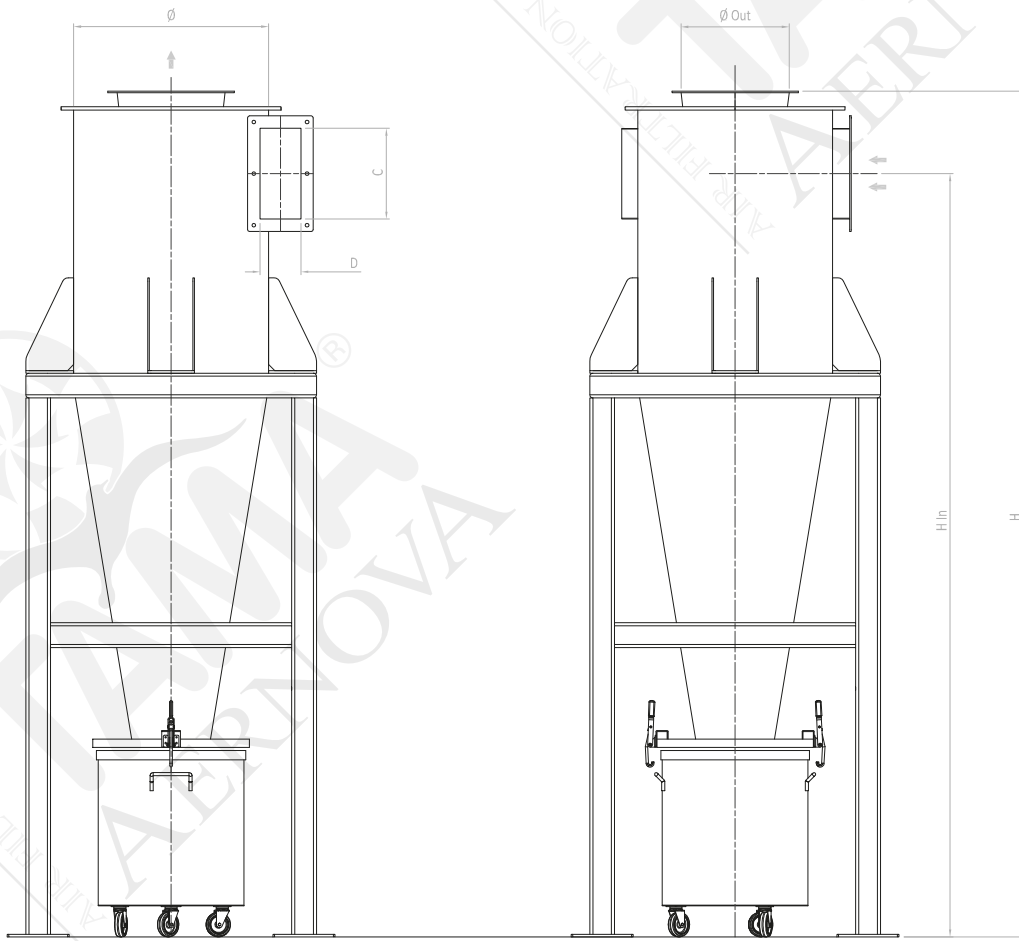


TECHNICAL SPECIFICATIONS

Pressure drop: 1200 - 1400 Pa

DIMENSIONS

Model	Air flow	Ø	Ø Out	H	H In	A	B	C	D	E
	[m ³ /h]	[mm]	[mm]	[mm]	[mm]	[mm]	[mm]	[mm]	[mm]	[mm]
AREN 180	330	180	101	1314	1187	108	108	114	52	-
AREN 220	500	220	123	1452	1308	132	132	140	62	-
AREN 250	650	250	140	1556	1399	150	150	160	71	-
AREN 290	850	290	163	1695	1521	174	174	184	82	-
AREN 320	1100	320	180	1799	1611	192	192	204	91	-
AREN 360	1400	360	202	1939	1735	216	216	228	104	-
AREN 400	1600	400	224	2077	1856	240	240	254	114	-
AREN 420	1800	420	236	2144	1915	252	252	266	120	-
AREN 440	2000	440	246	2215	1977	264	264	280	124	-
AREN 460	2200	460	258	2287	2041	276	276	292	131	-
AREN 480	2400	480	270	2355	2101	288	288	305	137	-
AREN 500	2600	500	280	2423	2159	300	300	320	142	-
AREN 525	2800	525	294	2509	2235	315	315	335	150	-
AREN 550	3000	550	308	2597	2312	330	330	350	157	-
AREN 575	3500	575	322	2683	2388	345	345	365	165	-
AREN 625	4000	625	350	2859	2542	375	375	396	179	-
AREN 675	4500	675	378	3032	2693	405	405	428	193	-
AREN 700	5000	700	392	3118	2769	420	420	444	200	-
AREN 725	5200	725	406	3206	2846	435	435	460	207	-
AREN 800	6500	800	448	3465	3072	480	480	508	228	-
AREN 850	7500	850	475	3638	3225	510	510	541	242	-
AREN 900	8500	900	504	3811	3376	540	540	574	253	-
AREN 1000	10000	1000	560	4157	3682	790	600	640	282	-



TECHNICAL SPECIFICATIONS										
Pressure drop: 1200 - 1400 Pa										
Model	Air flow [m ³ /h]	Ø [mm]	Ø Out [mm]	H [mm]	H In [mm]	DIMENSIONS				
						A [mm]	B [mm]	C [mm]	D [mm]	E [mm]
AREN 1100	12000	1100	610	4509	4004	610	660	670	310	1600
AREN 1150	14000	1150	650	4689	4149	690	690	730	330	1650
AREN 1250	16000	1250	700	4979	4444	750	750	790	360	1750
AREN 1300	17000	1300	730	5199	4594	780	780	820	370	1800
AREN 1350	18000	1350	760	5379	4749	810	810	860	380	1850
AREN 1400	20000	1400	790	5549	4899	840	840	890	400	1900
AREN 1500	24000	1500	840	5899	5209	900	900	950	430	2000