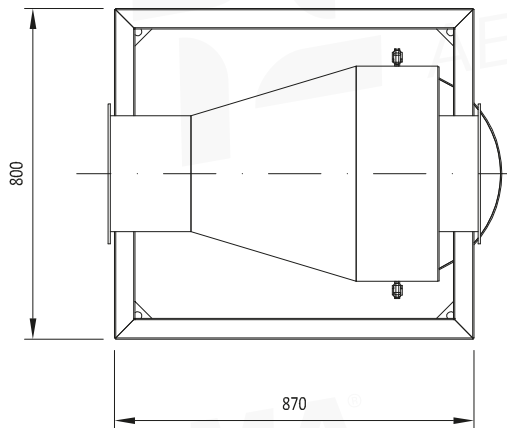
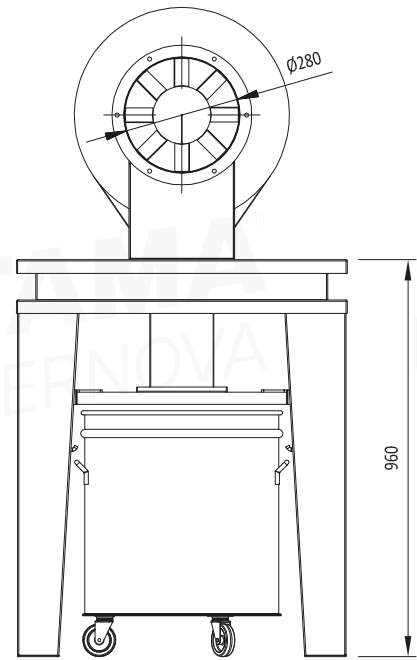
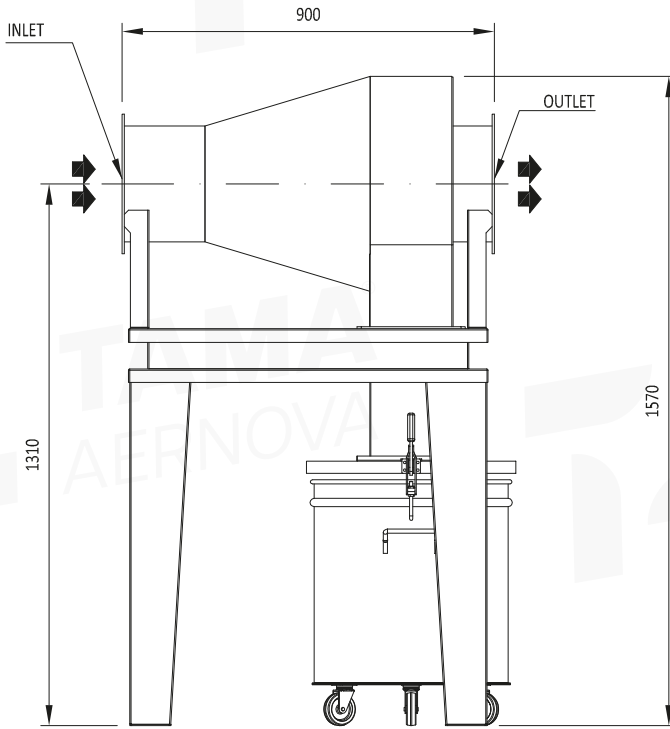
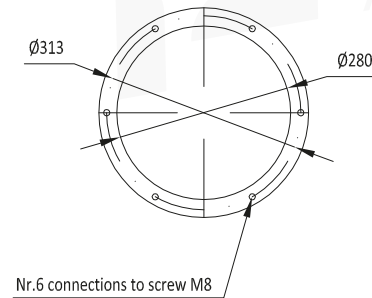


TECHNICAL SPECIFICATIONS		ITEM CODE: 5201000001
		SPARK TRAP Ø 250mm
Weight	kg	100
Pressure drop	Pa	700
Working temperature	°C	-10<T<40

PERFORMANCE CHARACTERISTICS		
Nominal air flow	m³/h	3300

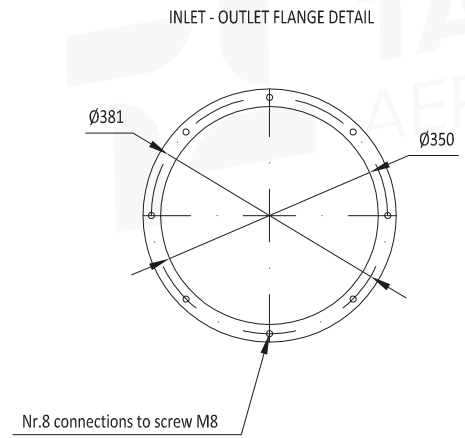
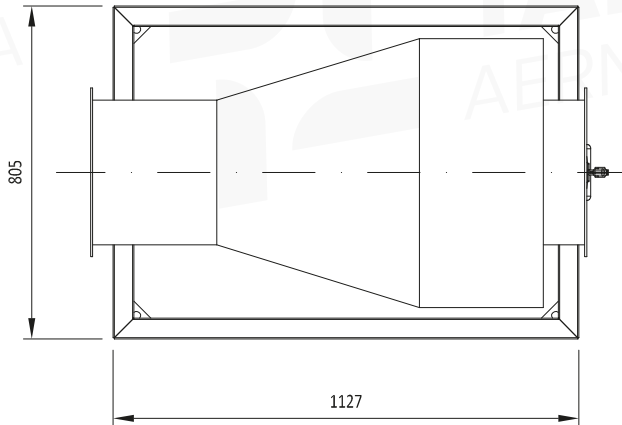
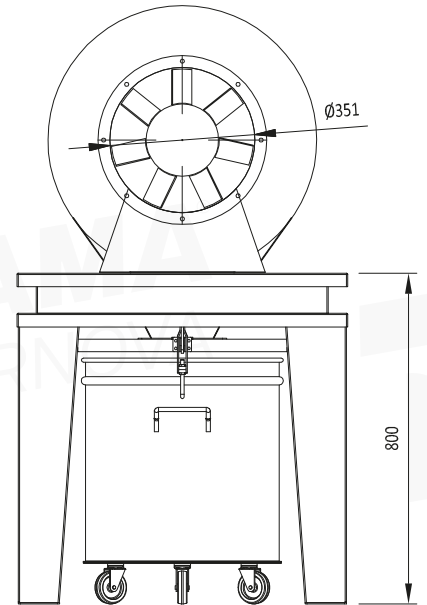
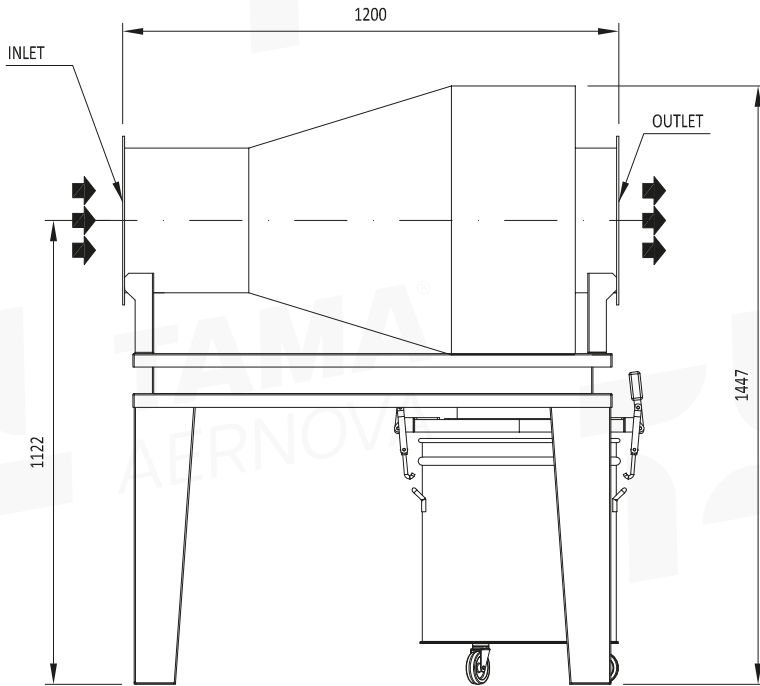


INLET - OUTLET FLANGE DETAIL



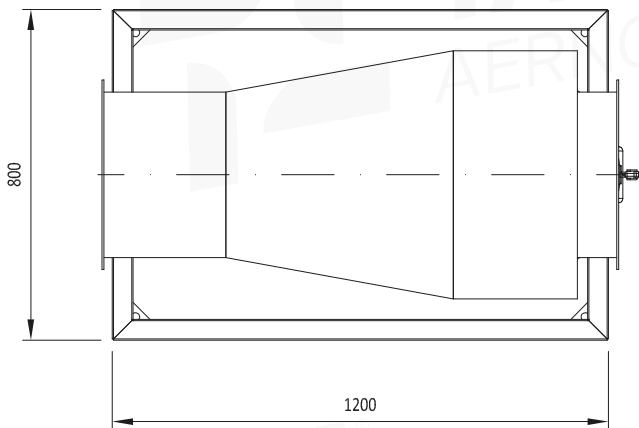
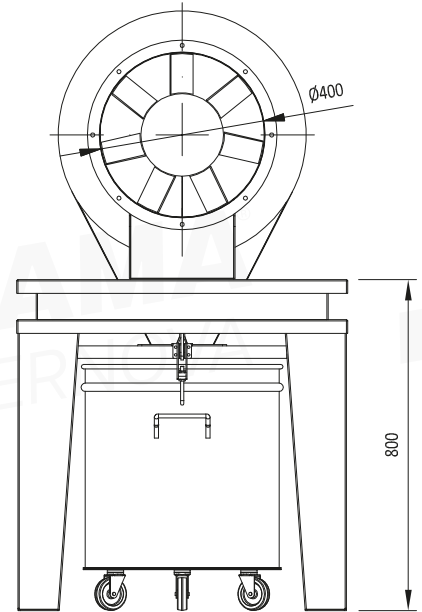
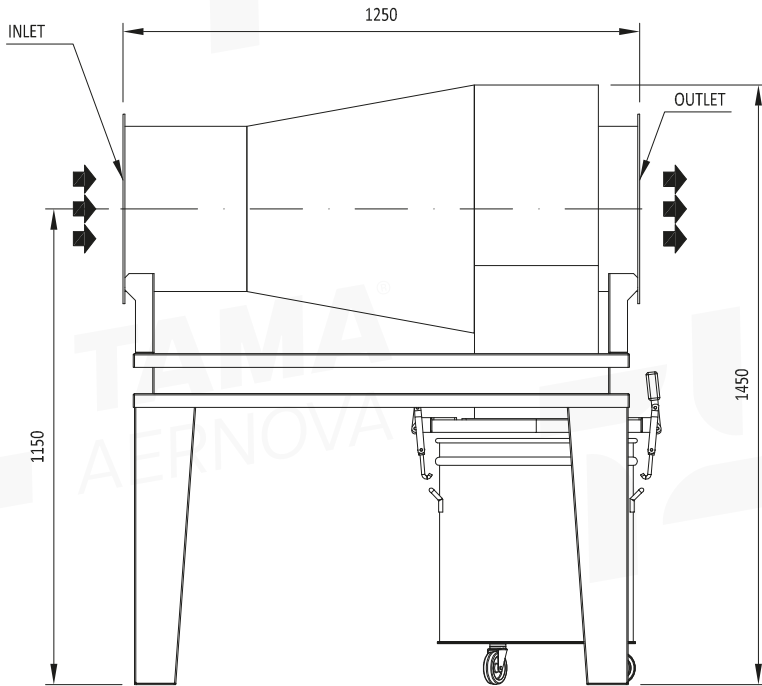
TECHNICAL SPECIFICATIONS		ITEM CODE: 5201000010
		SPARK TRAP Ø 280mm
Weight	kg	110
Pressure drop	Pa	700
Working temperature	°C	-10<T<40

PERFORMANCE CHARACTERISTICS		
Nominal air flow	m³/h	4400

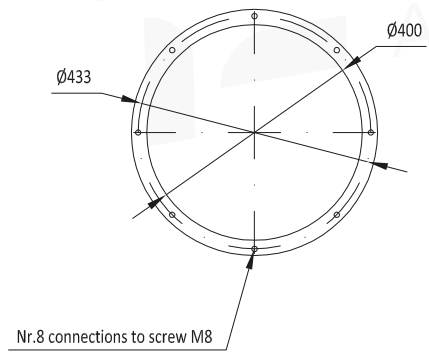


TECHNICAL SPECIFICATIONS		ITEM CODE: 5201000052
		SPARK TRAP Ø 350mm
Weight	kg	120
Pressure drop	Pa	700
Working temperature	°C	-10<T<40

PERFORMANCE CHARACTERISTICS		
Nominal air flow	m³/h	6600

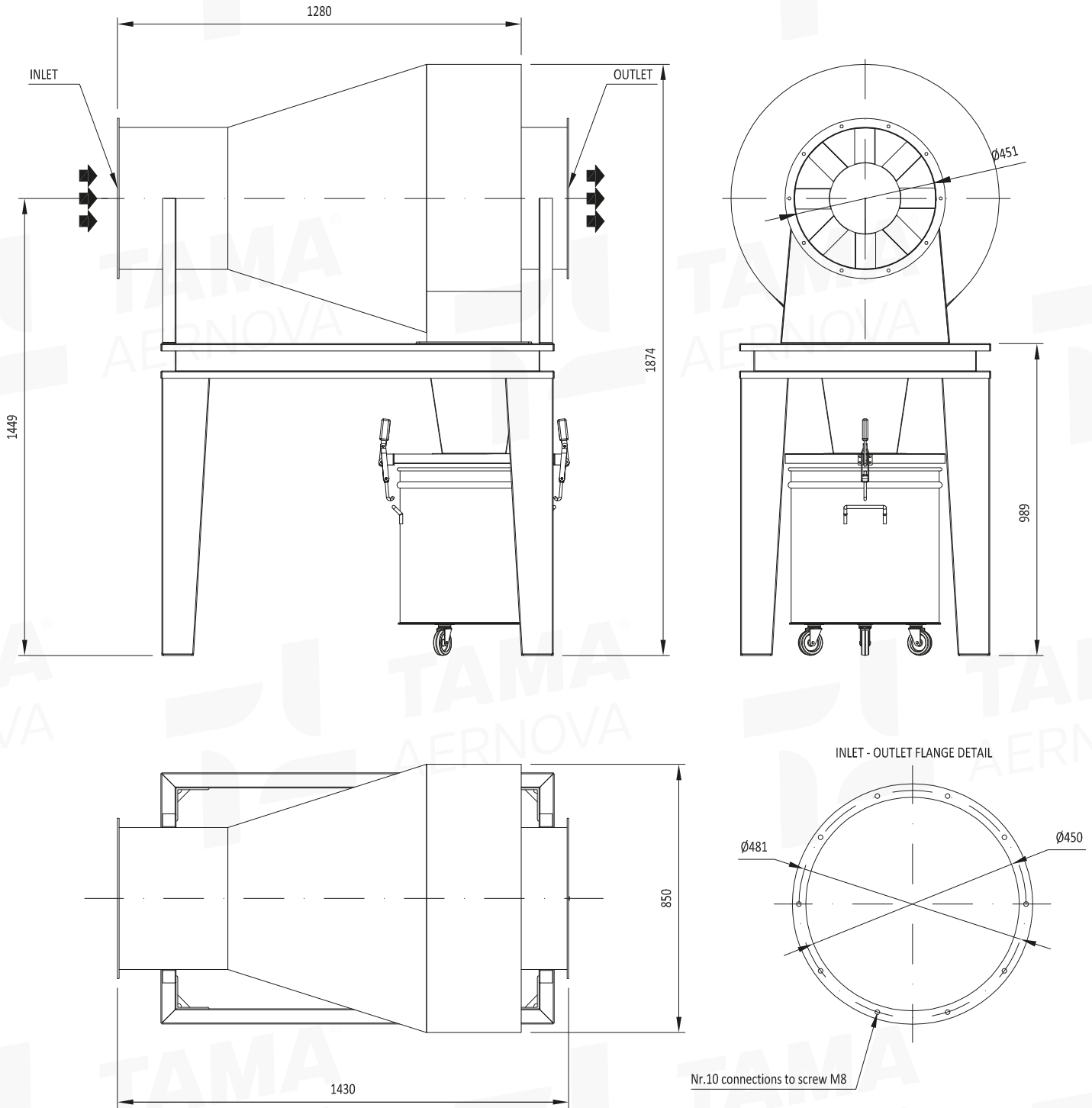


INLET - OUTLET FLANGE DETAIL



TECHNICAL SPECIFICATIONS		ITEM CODE: 5201000005
		SPARK TRAP Ø 400mm
Weight	kg	120
Pressure drop	Pa	700
Working temperature	°C	-10<T<40

PERFORMANCE CHARACTERISTICS		
Nominal air flow	m³/h	8800



TECHNICAL SPECIFICATIONS		ITEM CODE: 5201000008
		SPARK TRAP $\varnothing 450$ mm
Weight	kg	150
Pressure drop	Pa	700
Working temperature	°C	-10<T<40

PERFORMANCE CHARACTERISTICS		
Nominal air flow	m ³ /h	11000