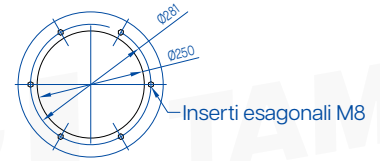
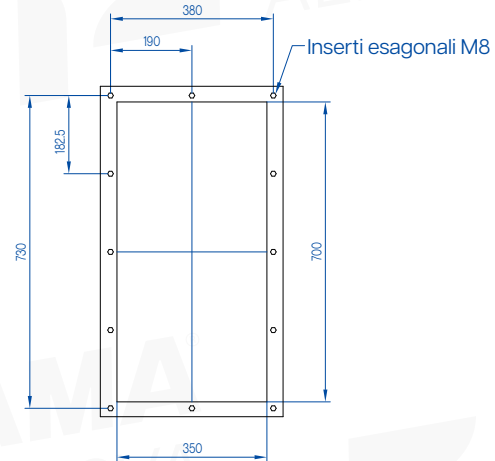


A - INLET FLANGE DETAIL

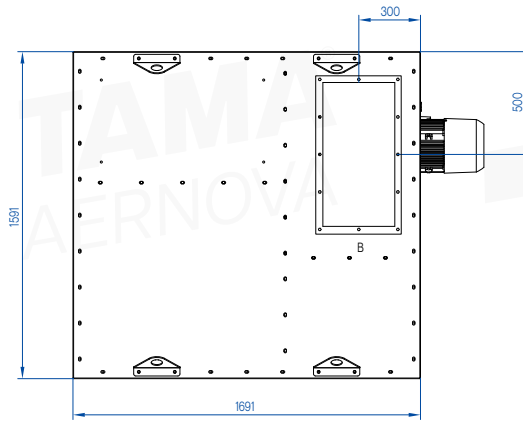
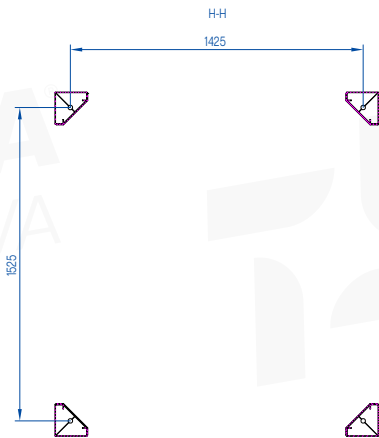
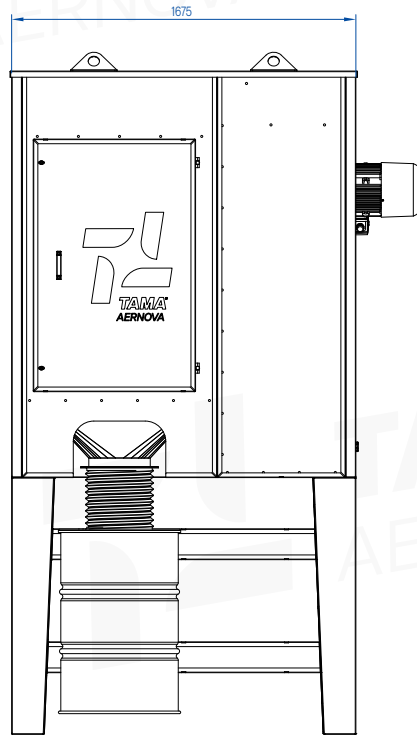
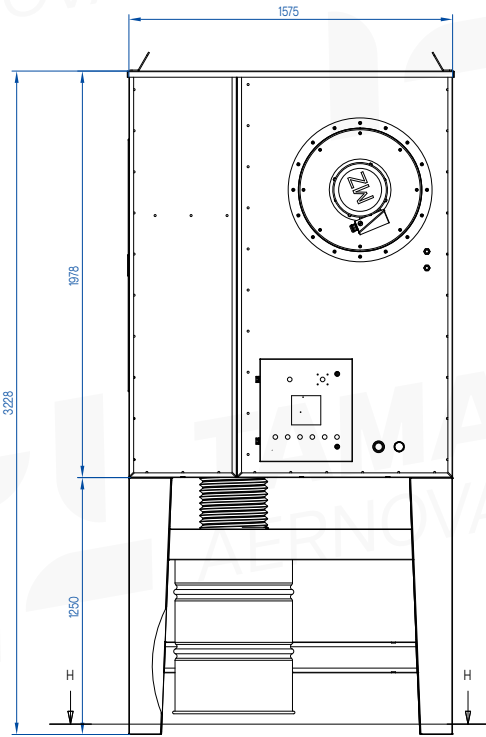


B - OUTLET FLANGE DETAIL

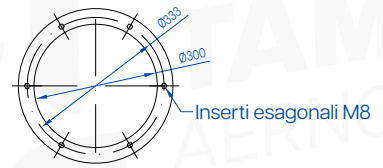


TECHNICAL SPECIFICATIONS		OPF-P 2x2
Weight	kg	1000
Number of filtering elements	nr	4
Filtering surface	m <sup>2</sup>	84
Filtering efficiency	99,999% on 0,5 micron dust particles	
Max working under pressure	Pa	5000
Working temperature	°C	-10<T<40
Pneumatic feeding (ISO Class 2.4.1 according to 8573-1:2010)	Ø	12
Electric feeding	400 V - 50Hz	
Cartridges cleaning system	pulse-jet	
Number of cleaning valves	nr	4
Type of cleaning valves	Ø1" - 24 V DC	
Compressed air tank working pressure	bar	5,5

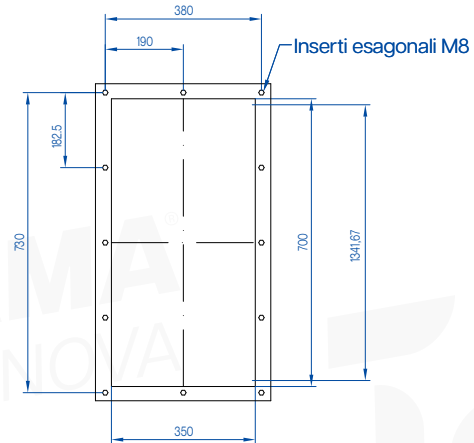
PERFORMANCE CHARACTERISTICS		
Nominal air flow	m <sup>3</sup> /h	3300
Nominal static pressure	Pa	3340
Nominal fan power	kW	5,5
Max compressed air consumption	NI/min	360



A - INLET FLANGE DETAIL



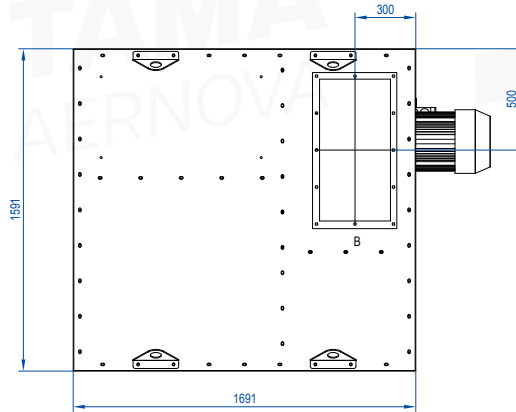
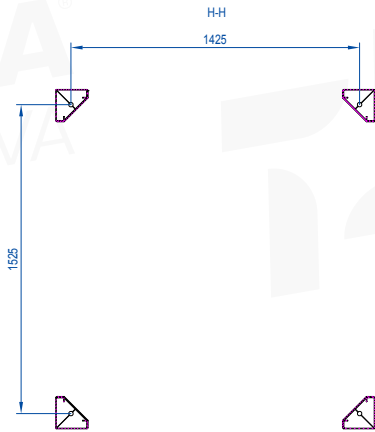
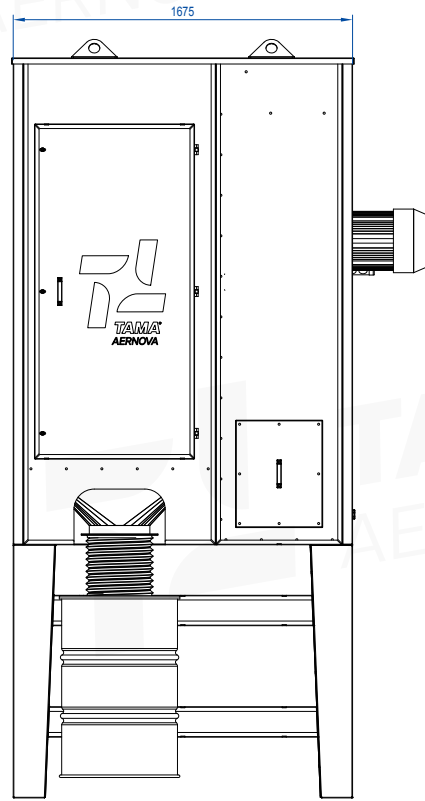
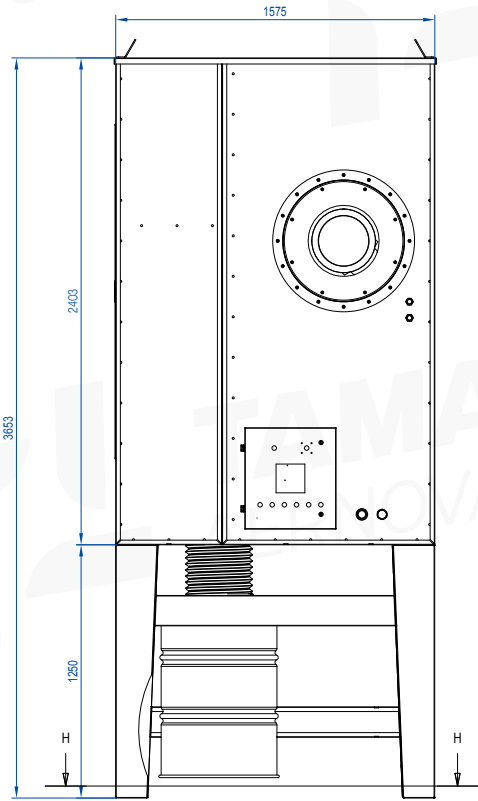
B - OUTLET FLANGE DETAIL



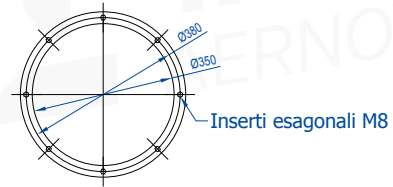
TECHNICAL SPECIFICATIONS		OPF-P 2x3
Weight	kg	1155
Number of filtering elements	nr	6
Filtering surface	m <sup>2</sup>	126
Filtering efficiency	99,999% on 0,5 micron dust particles	
Max working under pressure	Pa	5000
Working temperature	°C	-10<T<40
Pneumatic feeding (ISO Class 2.4.1 according to 8573-1:2010)	Ø	12
Electric feeding	400 V - 50Hz	
Cartridges cleaning system	pulse-jet	
Number of cleaning valves	nr	6
Type of cleaning valves	Ø1" - 24 V DC	
Compressed air tank working pressure	bar	5,5

**PERFORMANCE CHARACTERISTICS**

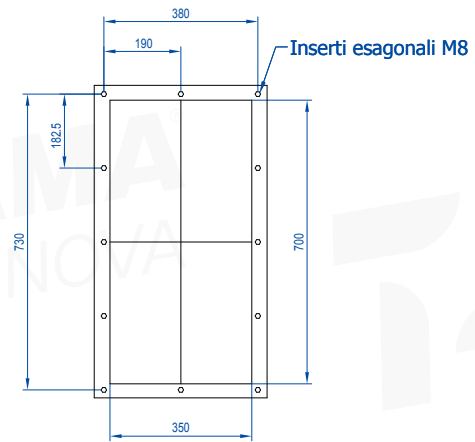
Nominal air flow	m <sup>3</sup> /h	5000
Nominal static pressure	Pa	3130
Nominal fan power	kW	7,5
Max compressed air consumption	NI/min	360



**A - INLET FLANGE DETAIL**

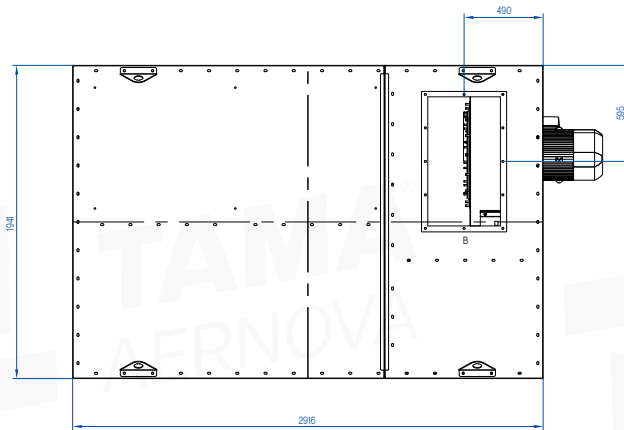
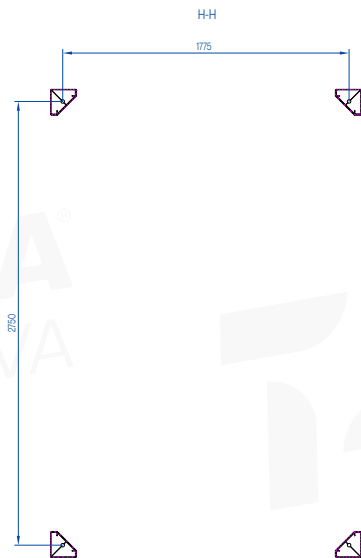
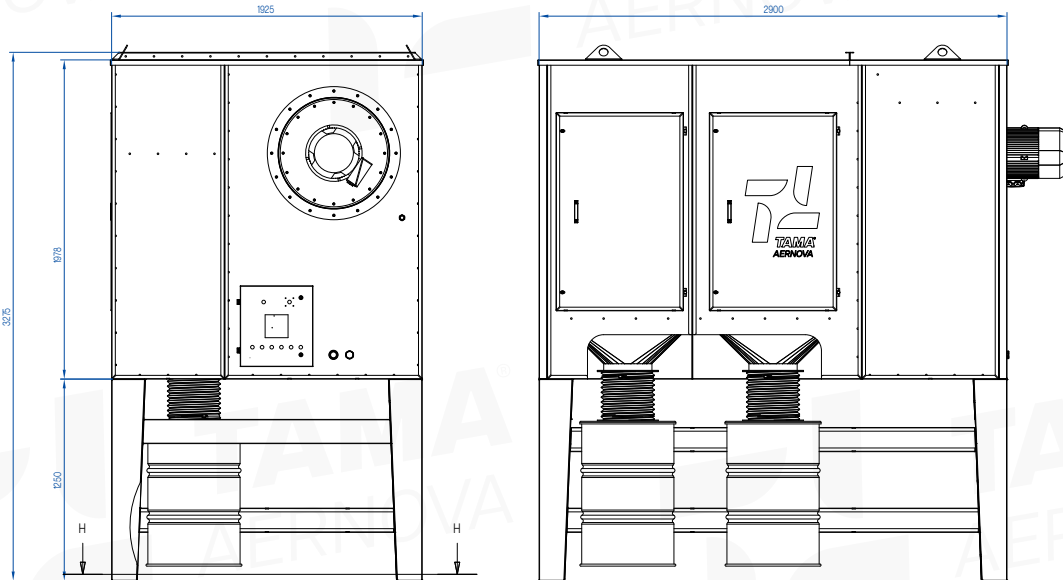


**B - OUTLET FLANGE DETAIL**

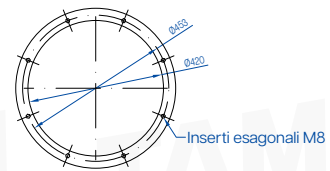


TECHNICAL SPECIFICATIONS		OPF-P 2x4
Weight	kg	1230
Number of filtering elements	nr	8
Filtering surface	m <sup>2</sup>	168
Filtering efficiency	99,999% on 0,5 micron dust particles	
Max working under pressure	Pa	5000
Working temperature	°C	-10<T<40
Pneumatic feeding (ISO Class 2.4.1 according to 8573-1:2010)	Ø	12
Electric feeding	400 V - 50Hz	
Cartridges cleaning system	pulse-jet	
Number of cleaning valves	nr	8
Type of cleaning valves	Ø1" - 24 V DC	
Compressed air tank working pressure	bar	5,5

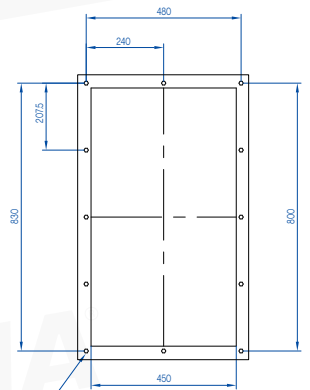
PERFORMANCE CHARACTERISTICS		
Nominal air flow	m <sup>3</sup> /h	6600
Nominal static pressure	Pa	3550
Nominal fan power	kW	11
Max compressed air consumption	NI/min	360



A - INLET FLANGE DETAIL

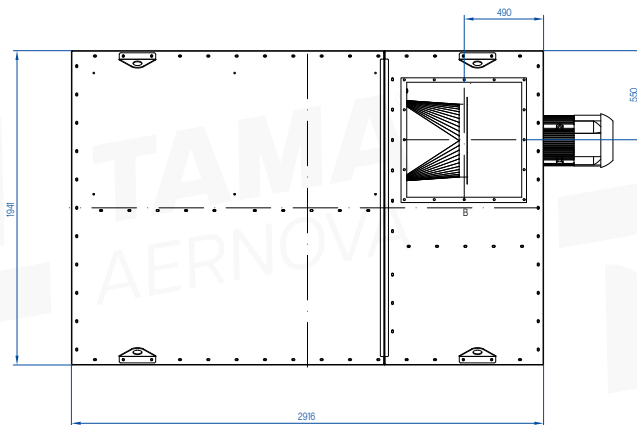
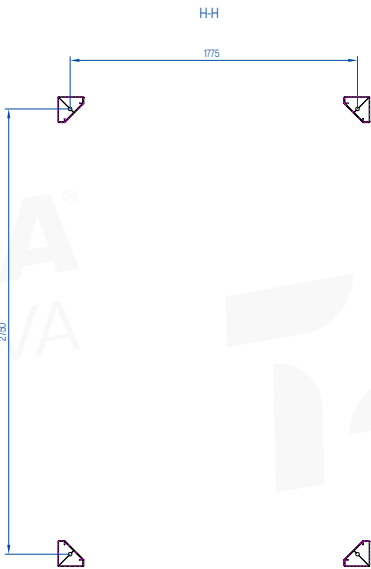
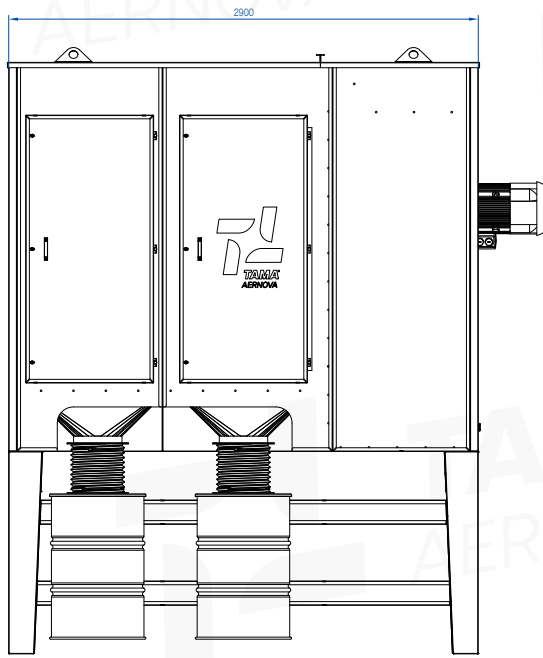
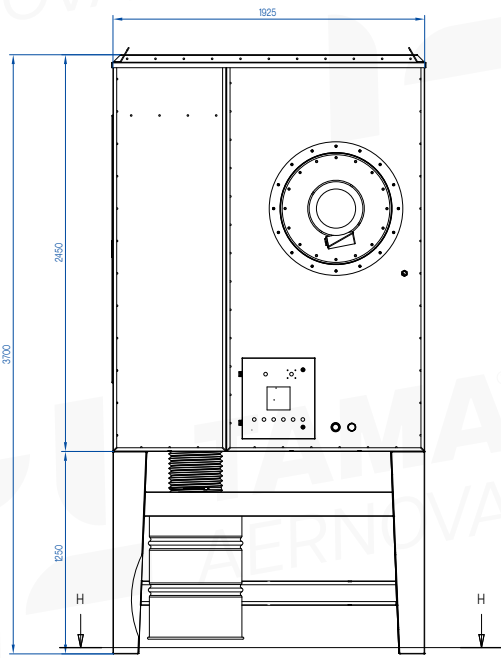


B - OUTLET FLANGE DETAIL

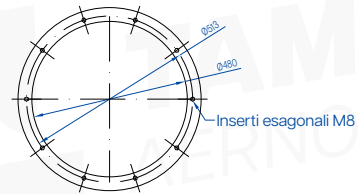


TECHNICAL SPECIFICATIONS		OPF-P 4x3
Weight	kg	1950
Number of filtering elements	nr	12
Filtering surface	m <sup>2</sup>	252
Filtering efficiency	99,999% on 0,5 micron dust particles	
Max working under pressure	Pa	5000
Working temperature	°C	-10<T<40
Pneumatic feeding (ISO Class 2.4.1 according to 8573-1:2010)	Ø	12
Electric feeding	400 V - 50Hz	
Cartridges cleaning system	pulse-jet	
Number of cleaning valves	nr	12
Type of cleaning valves	Ø1" - 24 V DC	
Compressed air tank working pressure	bar	5,5

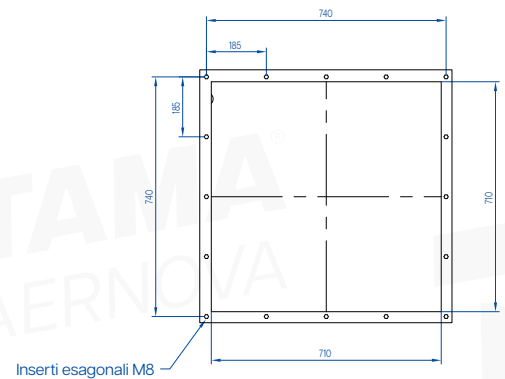
PERFORMANCE CHARACTERISTICS		
Nominal air flow	m <sup>3</sup> /h	10000
Nominal static pressure	Pa	3500
Nominal fan power	kW	15
Max compressed air consumption	NI/min	360



A - INLET FLANGE DETAIL



B - OUTLET FLANGE DETAIL



TECHNICAL SPECIFICATIONS		OPF-P 4x4
Weight	kg	2455
Number of filtering elements	nr	16
Filtering surface	m <sup>2</sup>	336
Filtering efficiency	99,999% on 0,5 micron dust particles	
Max working under pressure	Pa	5000
Working temperature	°C	-10<T<40
Pneumatic feeding (ISO Class 2.4.1 according to 8573-1:2010)	Ø	12
Electric feeding	400 V - 50Hz	
Cartridges cleaning system	pulse-jet	
Number of cleaning valves	nr	16
Type of cleaning valves	Ø1" - 24 V DC	
Compressed air tank working pressure	bar	5,5

PERFORMANCE CHARACTERISTICS		
Nominal air flow	m <sup>3</sup> /h	13200
Nominal static pressure	Pa	3600
Nominal fan power	kW	18,5
Max compressed air consumption	NI/min	360