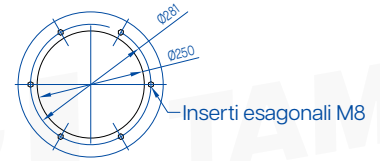
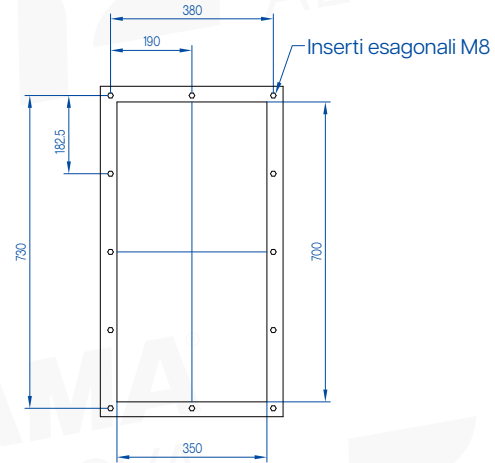


A - INLET FLANGE DETAIL

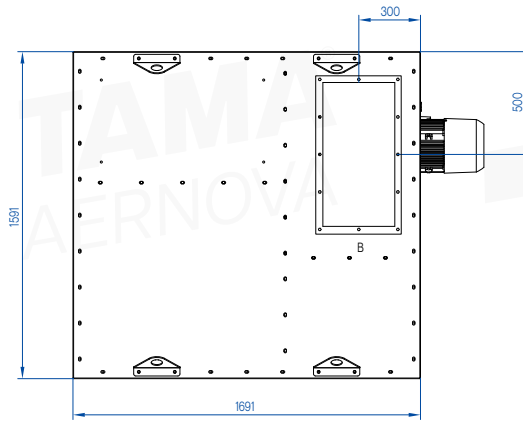
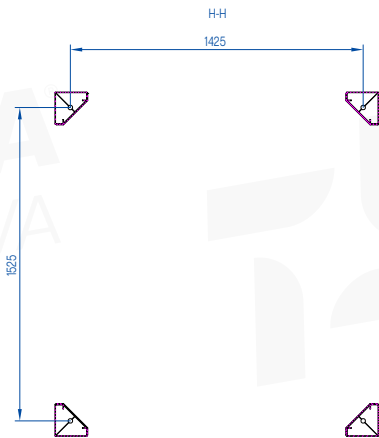
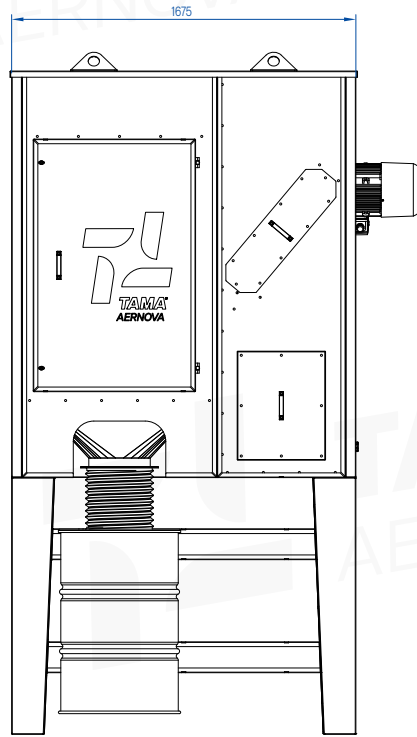
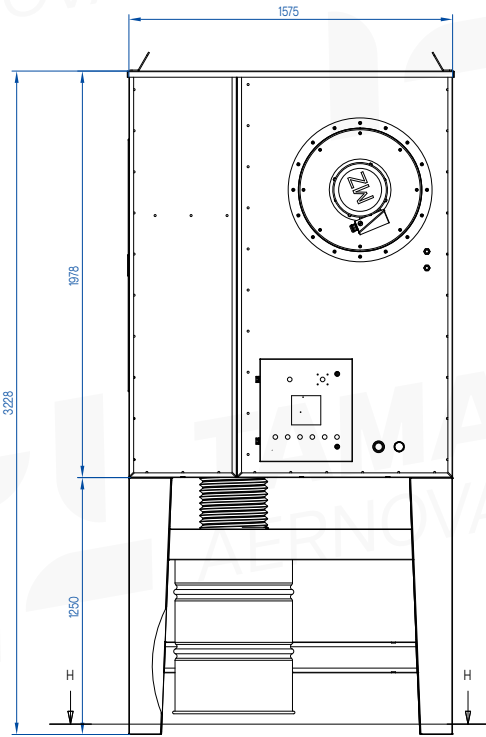


B - OUTLET FLANGE DETAIL

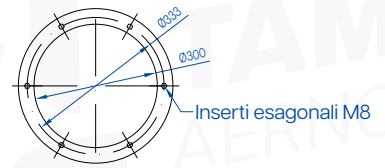


| TECHNICAL SPECIFICATIONS | | OPF-R 2x2 |
|---|--------------------------------------|-----------|
| Weight | kg | 1000 |
| Number of filtering elements | nr | 4 |
| Filtering surface | m ² | 84 |
| Filtering efficiency | 99,999% on 0,5 micron dust particles | |
| Max working under pressure | Pa | 5000 |
| Working temperature | °C | -10<T<40 |
| Pneumatic feeding (ISO Class 2.4.1 according to 8573-1:2010) | Ø | 12 |
| Electric feeding | 400 V - 50Hz | |
| Cartridges cleaning system | pulse-jet | |
| Number of cleaning valves | nr | 4 |
| Type of cleaning valves | Ø1" - 24 V DC | |
| Compressed air tank working pressure | bar | 5,5 |

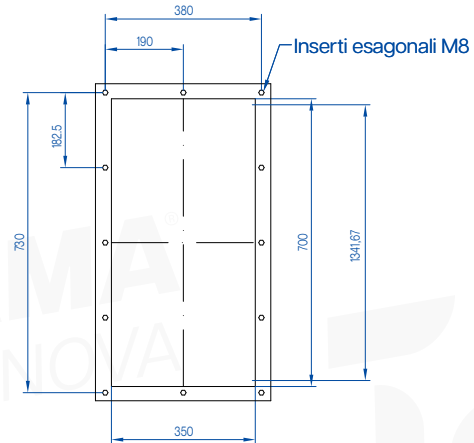
| PERFORMANCE CHARACTERISTICS | | |
|--------------------------------|-------------------|------|
| Nominal air flow | m ³ /h | 3300 |
| Nominal static pressure | Pa | 3340 |
| Nominal fan power | kW | 5,5 |
| Max compressed air consumption | NI/min | 360 |



A - INLET FLANGE DETAIL



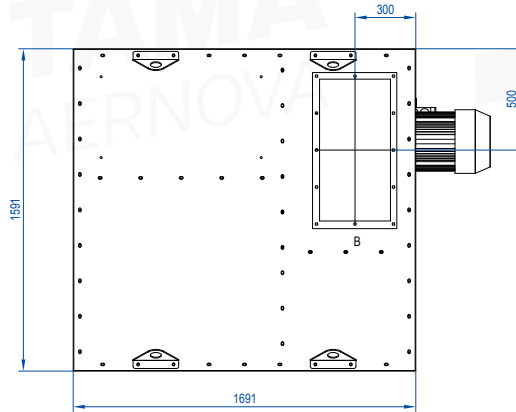
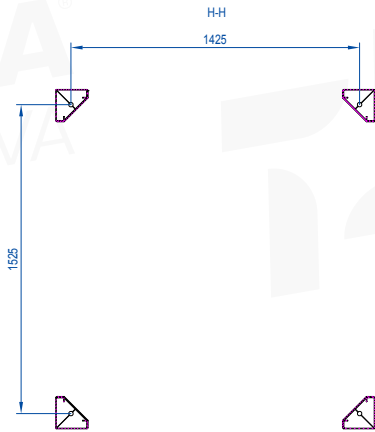
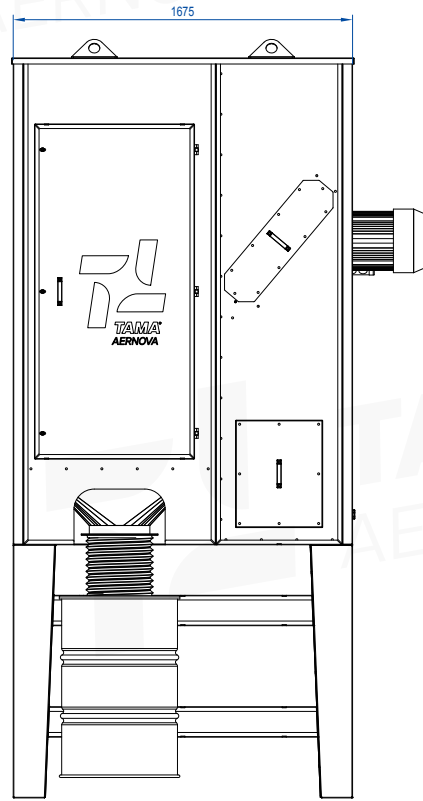
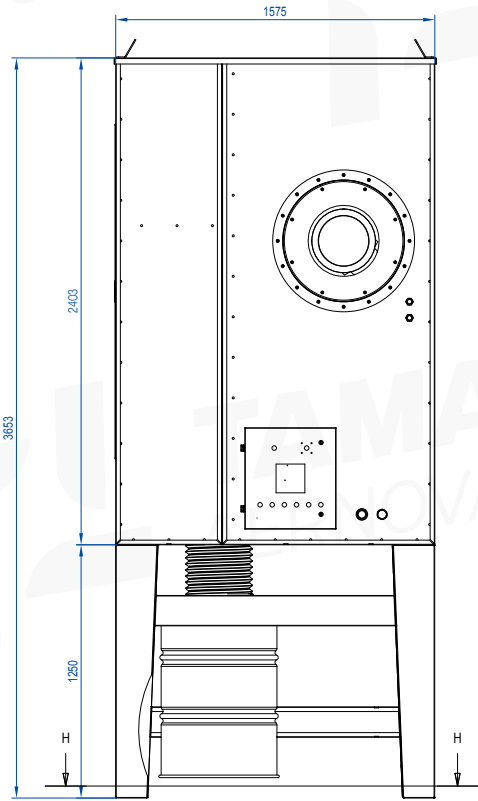
B - OUTLET FLANGE DETAIL



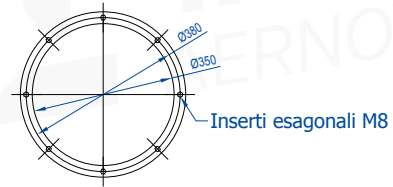
| TECHNICAL SPECIFICATIONS | | OPF-R 2x3 |
|---|--------------------------------------|-----------|
| Weight | kg | 1155 |
| Number of filtering elements | nr | 6 |
| Filtering surface | m ² | 126 |
| Filtering efficiency | 99,999% on 0,5 micron dust particles | |
| Max working under pressure | Pa | 5000 |
| Working temperature | °C | -10<T<40 |
| Pneumatic feeding (ISO Class 2.4.1 according to 8573-1:2010) | Ø | 12 |
| Electric feeding | 400 V - 50Hz | |
| Cartridges cleaning system | pulse-jet | |
| Number of cleaning valves | nr | 6 |
| Type of cleaning valves | Ø1" - 24 V DC | |
| Compressed air tank working pressure | bar | 5,5 |

PERFORMANCE CHARACTERISTICS

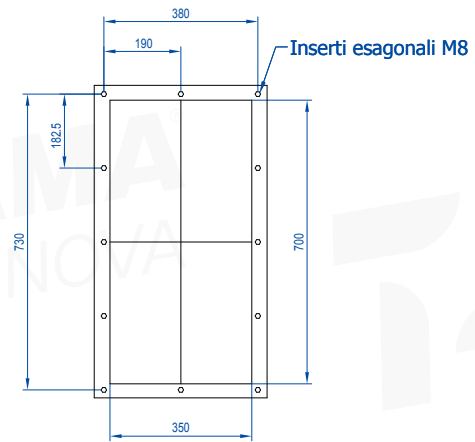
| | | |
|--------------------------------|-------------------|------|
| Nominal air flow | m ³ /h | 5000 |
| Nominal static pressure | Pa | 3130 |
| Nominal fan power | kW | 7,5 |
| Max compressed air consumption | NI/min | 360 |



A - INLET FLANGE DETAIL

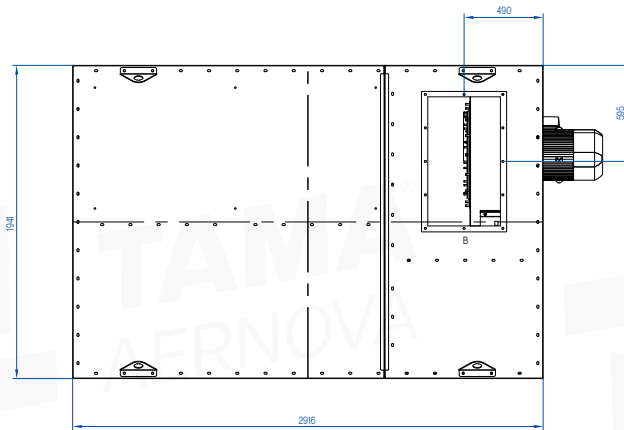
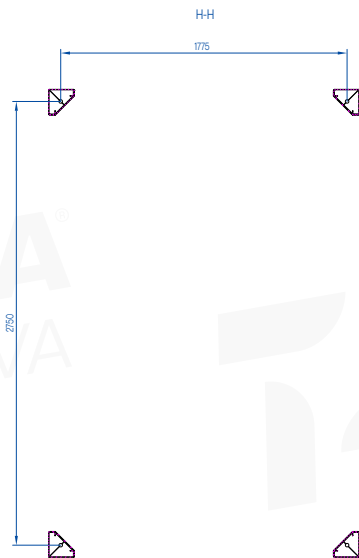
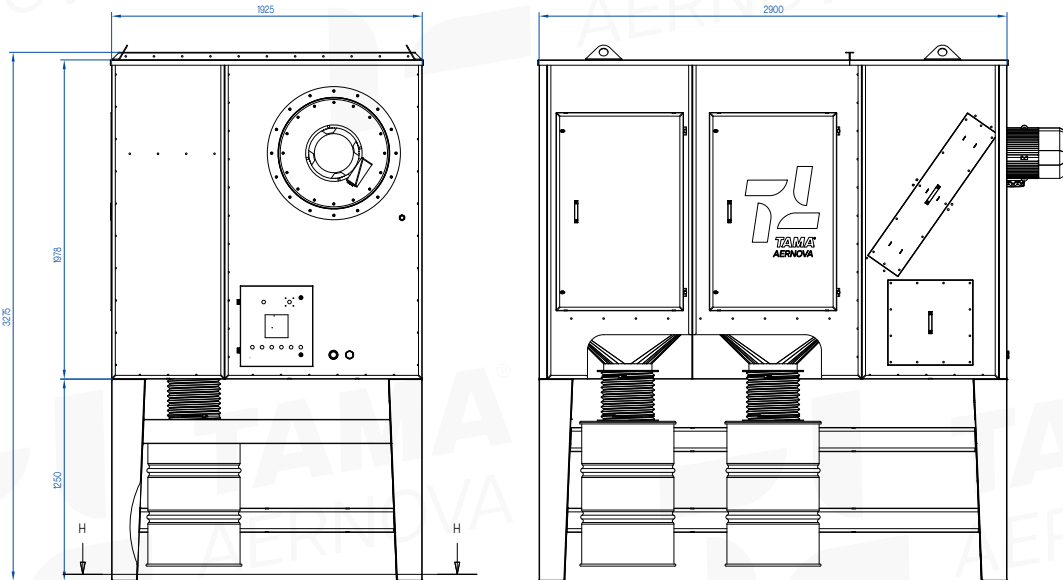


B - OUTLET FLANGE DETAIL

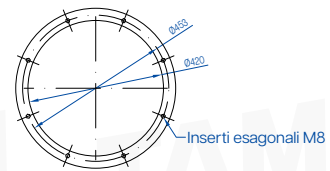


| TECHNICAL SPECIFICATIONS | | OPF-R 2x4 |
|---|--------------------------------------|-----------|
| Weight | kg | 1230 |
| Number of filtering elements | nr | 8 |
| Filtering surface | m ² | 168 |
| Filtering efficiency | 99,999% on 0,5 micron dust particles | |
| Max working under pressure | Pa | 5000 |
| Working temperature | °C | -10<T<40 |
| Pneumatic feeding (ISO Class 2.4.1 according to 8573-1:2010) | Ø | 12 |
| Electric feeding | 400 V - 50Hz | |
| Cartridges cleaning system | pulse-jet | |
| Number of cleaning valves | nr | 8 |
| Type of cleaning valves | Ø1" - 24 V DC | |
| Compressed air tank working pressure | bar | 5,5 |

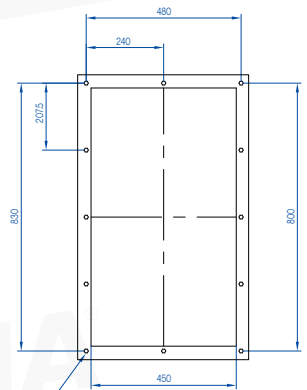
| PERFORMANCE CHARACTERISTICS | | |
|--------------------------------|-------------------|------|
| Nominal air flow | m ³ /h | 6600 |
| Nominal static pressure | Pa | 3550 |
| Nominal fan power | kW | 11 |
| Max compressed air consumption | NI/min | 360 |



A - INLET FLANGE DETAIL

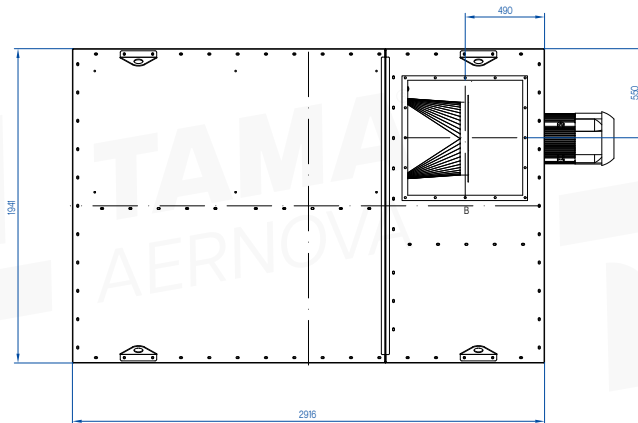
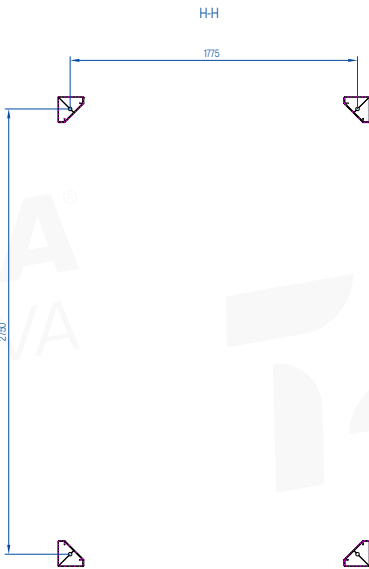
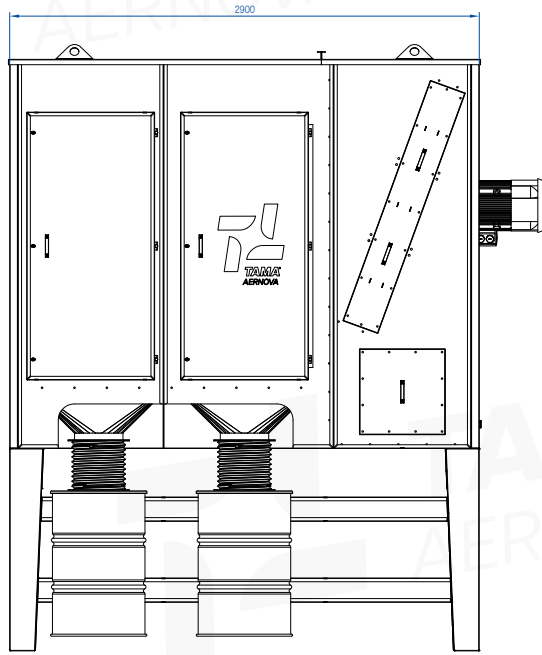
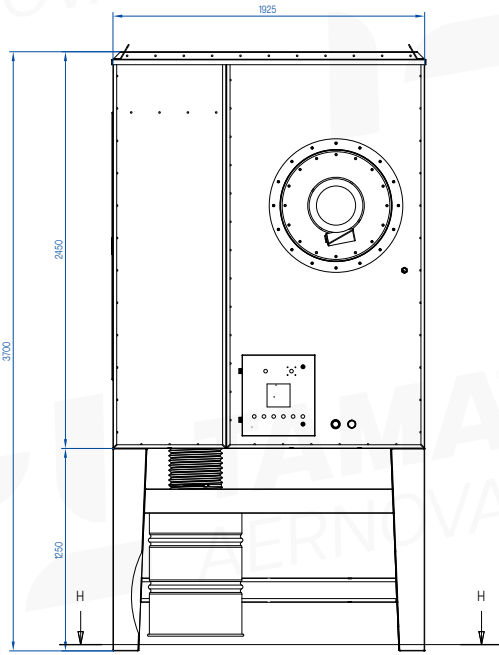


B - OUTLET FLANGE DETAIL

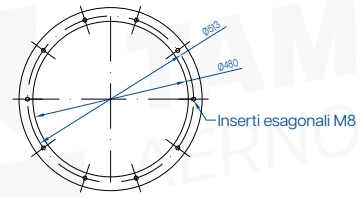


| TECHNICAL SPECIFICATIONS | | OPF-R 4x3 |
|---|--------------------------------------|-----------|
| Weight | kg | 1950 |
| Number of filtering elements | nr | 12 |
| Filtering surface | m ² | 252 |
| Filtering efficiency | 99,999% on 0,5 micron dust particles | |
| Max working under pressure | Pa | 5000 |
| Working temperature | °C | -10<T<40 |
| Pneumatic feeding (ISO Class 2.4.1 according to 8573-1:2010) | Ø | 12 |
| Electric feeding | 400 V - 50Hz | |
| Cartridges cleaning system | pulse-jet | |
| Number of cleaning valves | nr | 12 |
| Type of cleaning valves | Ø1" - 24 V DC | |
| Compressed air tank working pressure | bar | 5,5 |

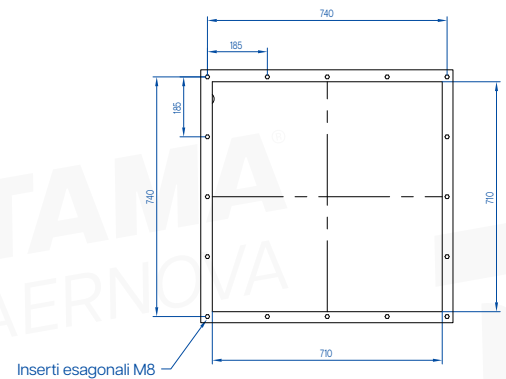
| PERFORMANCE CHARACTERISTICS | | |
|--------------------------------|-------------------|-------|
| Nominal air flow | m ³ /h | 10000 |
| Nominal static pressure | Pa | 3500 |
| Nominal fan power | kW | 15 |
| Max compressed air consumption | NI/min | 360 |



A - INLET FLANGE DETAIL



B - OUTLET FLANGE DETAIL



| TECHNICAL SPECIFICATIONS | | OPF-R 4x4 |
|---|--------------------------------------|-----------|
| Weight | kg | 2455 |
| Number of filtering elements | nr | 16 |
| Filtering surface | m ² | 336 |
| Filtering efficiency | 99,999% on 0,5 micron dust particles | |
| Max working under pressure | Pa | 5000 |
| Working temperature | °C | -10<T<40 |
| Pneumatic feeding (ISO Class 2.4.1 according to 8573-1:2010) | Ø | 12 |
| Electric feeding | 400 V - 50Hz | |
| Cartridges cleaning system | pulse-jet | |
| Number of cleaning valves | nr | 16 |
| Type of cleaning valves | Ø1" - 24 V DC | |
| Compressed air tank working pressure | bar | 5,5 |

| PERFORMANCE CHARACTERISTICS | | |
|--------------------------------|-------------------|-------|
| Nominal air flow | m ³ /h | 13200 |
| Nominal static pressure | Pa | 3600 |
| Nominal fan power | kW | 18,5 |
| Max compressed air consumption | NI/min | 360 |