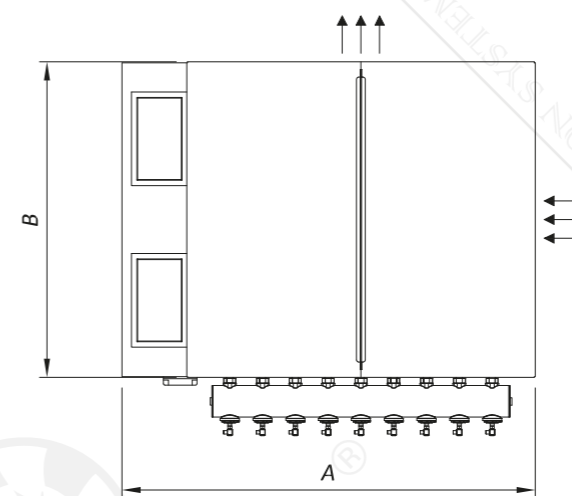
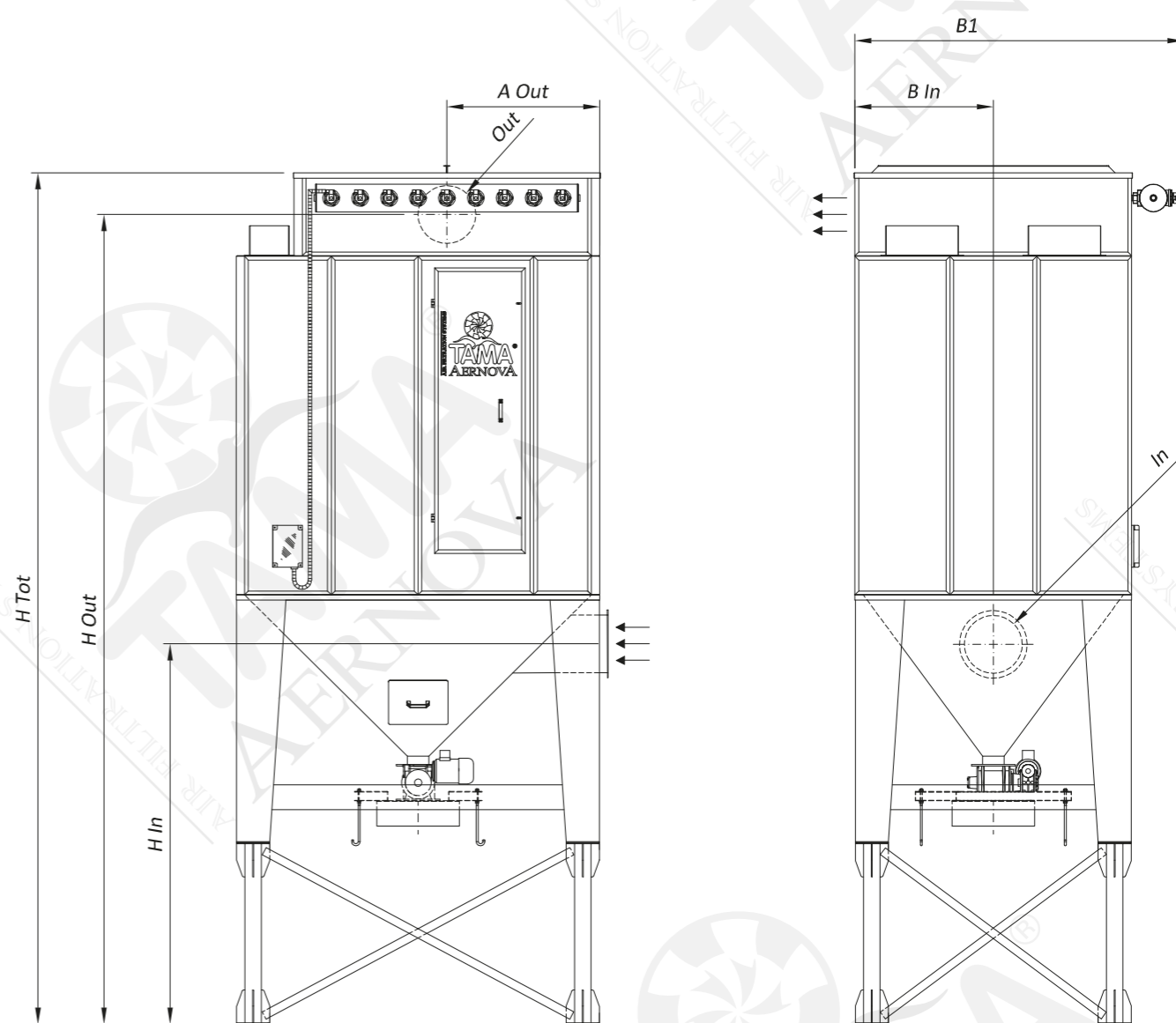


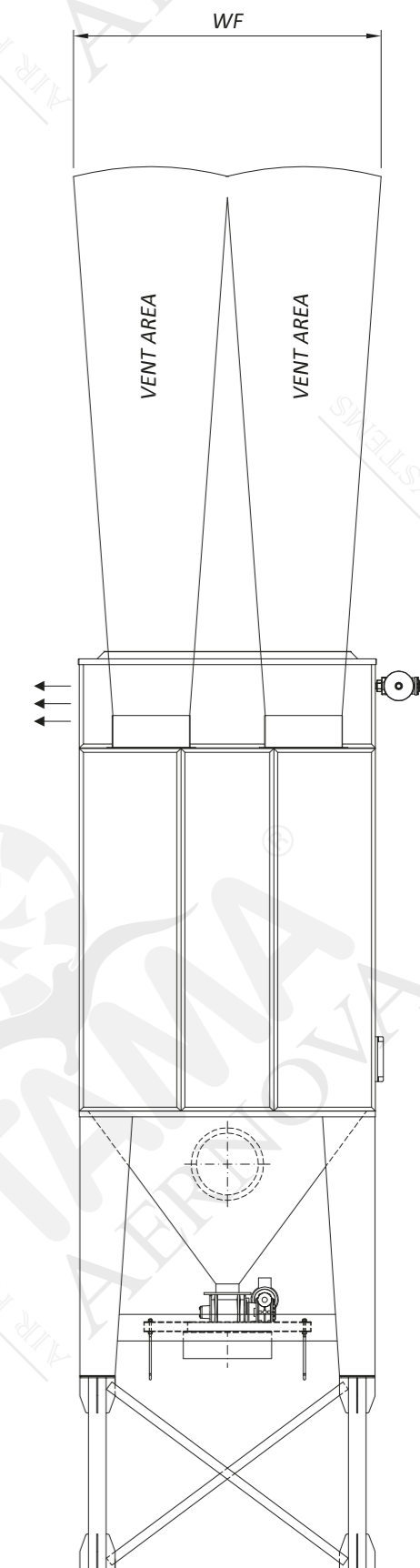
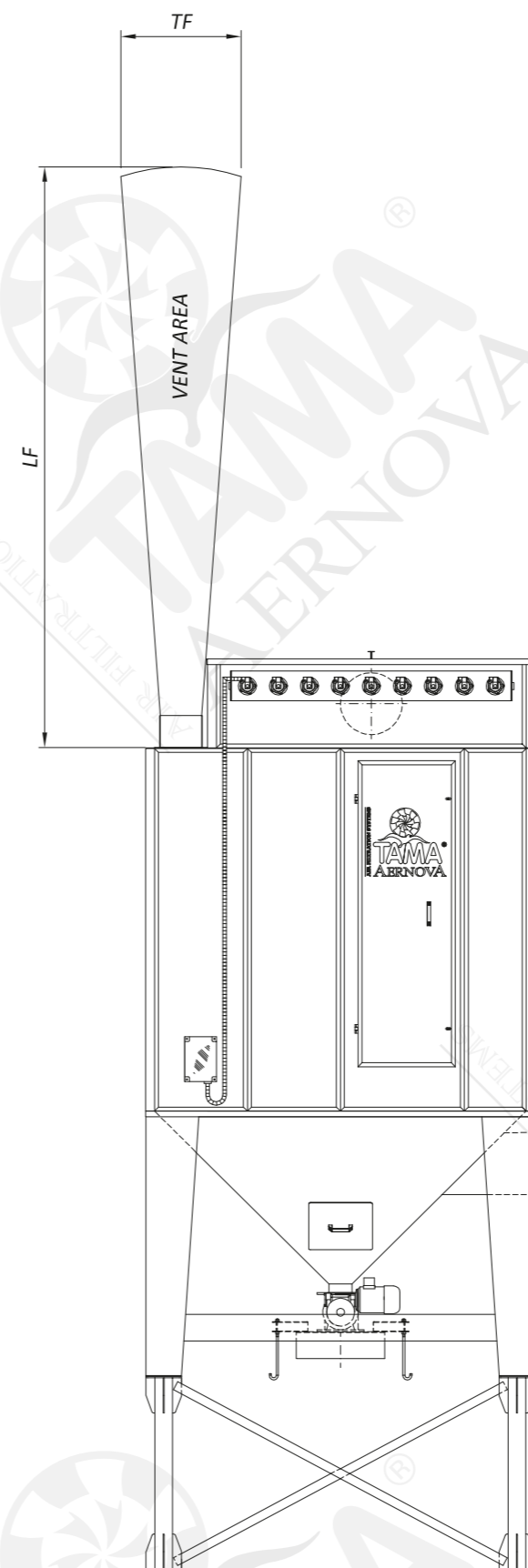
| TECHNICAL SPECIFICATIONS |                   |                              |                           |                            | DIMENSIONS |      |      |       |      |      |      |            |       |       |        |
|--------------------------|-------------------|------------------------------|---------------------------|----------------------------|------------|------|------|-------|------|------|------|------------|-------|-------|--------|
| Model                    | Filtering surface | Number of filtering elements | Number of cleaning valves | Compressed air consumption | A          | B    | B1   | H Tot | In   | B In | H In | Out        | A Out | H Out | Weight |
|                          | [m <sup>2</sup> ] |                              |                           |                            | [N/activ]  | [mm] | [mm] | [mm]  | [mm] | [mm] | [mm] | [mm]       | [mm]  | [mm]  |        |
| NSVX04x0515              | 12                | 20                           | 4                         | 87                         | 1325       | 1150 | 1470 | 4511  | Ø180 | 575  | 2310 | Ø220       | 487   | 4255  | 710    |
| NSVX04x0520              | 15                | 20                           | 4                         | 87                         | 1325       | 1150 | 1470 | 5011  | Ø200 | 575  | 2300 | Ø250       | 487   | 4755  | 810    |
| NSVX04x0525              | 19                | 20                           | 4                         | 87                         | 1325       | 1150 | 1470 | 5511  | Ø220 | 575  | 2290 | Ø280       | 487   | 5255  | 885    |
| NSVX06x0515              | 17                | 30                           | 6                         | 87                         | 1675       | 1150 | 1470 | 4761  | Ø200 | 575  | 2550 | Ø280       | 662   | 4505  | 845    |
| NSVX06x0520              | 23                | 30                           | 6                         | 87                         | 1675       | 1150 | 1470 | 5261  | Ø250 | 575  | 2525 | Ø315       | 662   | 5005  | 945    |
| NSVX06x0525              | 29                | 30                           | 6                         | 87                         | 1675       | 1150 | 1470 | 5761  | Ø280 | 575  | 2510 | Ø350       | 662   | 5505  | 1045   |
| NSVX06x0615              | 21                | 36                           | 6                         | 87                         | 1675       | 1325 | 1645 | 4761  | Ø220 | 662  | 2540 | Ø300       | 662   | 4505  | 900    |
| NSVX06x0620              | 28                | 36                           | 6                         | 87                         | 1675       | 1325 | 1645 | 5261  | Ø280 | 662  | 2510 | Ø350       | 662   | 5005  | 1000   |
| NSVX06x0625              | 35                | 36                           | 6                         | 87                         | 1675       | 1325 | 1645 | 5761  | Ø300 | 662  | 2500 | 350 x 350  | 662   | 5505  | 1125   |
| NSVX06x0715              | 24                | 42                           | 6                         | 87                         | 1675       | 1500 | 1820 | 4761  | Ø250 | 750  | 2525 | Ø315       | 662   | 4505  | 955    |
| NSVX06x0720              | 32                | 42                           | 6                         | 87                         | 1675       | 1500 | 1820 | 5261  | Ø280 | 750  | 2510 | 350 x 350  | 662   | 5005  | 1055   |
| NSVX06x0725              | 41                | 42                           | 6                         | 87                         | 1675       | 1500 | 1820 | 5761  | Ø315 | 750  | 2492 | 400 x 350  | 662   | 5505  | 1180   |
| NSVX06x0815              | 28                | 48                           | 6                         | 87                         | 1675       | 1675 | 1995 | 4761  | Ø280 | 837  | 2510 | Ø350       | 662   | 4505  | 1010   |
| NSVX06x0820              | 37                | 48                           | 6                         | 87                         | 1675       | 1675 | 1995 | 5261  | Ø300 | 837  | 2500 | 400 x 350  | 662   | 5005  | 1135   |
| NSVX06x0825              | 46                | 48                           | 6                         | 87                         | 1675       | 1675 | 1995 | 5761  | Ø350 | 837  | 2475 | 450 x 350  | 662   | 5505  | 1260   |
| NSVX07x0715              | 28                | 49                           | 7                         | 87                         | 1850       | 1500 | 1820 | 4761  | Ø280 | 750  | 2510 | Ø350       | 750   | 4505  | 1010   |
| NSVX07x0720              | 38                | 49                           | 7                         | 87                         | 1850       | 1500 | 1820 | 5261  | Ø315 | 750  | 2492 | 400 x 350  | 750   | 5005  | 1135   |
| NSVX07x0725              | 47                | 49                           | 7                         | 87                         | 1850       | 1500 | 1820 | 5761  | Ø350 | 750  | 2475 | 450 x 350  | 750   | 5505  | 1260   |
| NSVX07x0815              | 32                | 56                           | 7                         | 87                         | 1850       | 1675 | 1995 | 4761  | Ø280 | 837  | 2510 | 350 x 350  | 750   | 4505  | 1040   |
| NSVX07x0820              | 43                | 56                           | 7                         | 87                         | 1850       | 1675 | 1995 | 5261  | Ø315 | 837  | 2492 | 450 x 350  | 750   | 5005  | 1190   |
| NSVX07x0825              | 54                | 56                           | 7                         | 87                         | 1850       | 1675 | 1995 | 5761  | Ø380 | 837  | 2460 | 550 x 350  | 750   | 5505  | 1340   |
| NSVX08x0815              | 37                | 64                           | 8                         | 87                         | 2025       | 1675 | 1995 | 4861  | Ø300 | 837  | 2600 | 400 x 350  | 837   | 4605  | 1150   |
| NSVX08x0820              | 49                | 64                           | 8                         | 87                         | 2025       | 1675 | 1995 | 5361  | Ø350 | 837  | 2575 | 500 x 350  | 837   | 5105  | 1300   |
| NSVX08x0825              | 62                | 64                           | 8                         | 87                         | 2025       | 1675 | 1995 | 5861  | Ø400 | 837  | 2550 | 600 x 350  | 837   | 5605  | 1450   |
| NSVX09x0815              | 42                | 72                           | 9                         | 87                         | 2200       | 1675 | 1995 | 4961  | Ø315 | 837  | 2692 | 400 x 350  | 925   | 4705  | 1205   |
| NSVX09x0820              | 56                | 72                           | 9                         | 87                         | 2200       | 1675 | 1995 | 5461  | Ø380 | 837  | 2660 | 550 x 350  | 925   | 5205  | 1330   |
| NSVX09x0825              | 70                | 72                           | 9                         | 87                         | 2200       | 1675 | 1995 | 5961  | Ø420 | 837  | 2640 | 700 x 350  | 925   | 5705  | 1505   |
| NSVX09x0920              | 63                | 81                           | 9                         | 87                         | 2200       | 1850 | 2170 | 5461  | Ø400 | 925  | 2650 | 600 x 350  | 925   | 5205  | 1415   |
| NSVX09x0925              | 78                | 81                           | 9                         | 87                         | 2200       | 1850 | 2170 | 5961  | Ø450 | 925  | 2625 | 750 x 350  | 925   | 5705  | 1590   |
| NSVX09x0930              | 94                | 81                           | 9                         | 217                        | 2200       | 1850 | 2210 | 6461  | Ø480 | 925  | 2610 | 900 x 350  | 925   | 6205  | 1790   |
| NSVX09x1020              | 70                | 90                           | 9                         | 87                         | 2200       | 2025 | 2345 | 5361  | Ø420 | 1012 | 2540 | 700 x 350  | 925   | 5105  | 1495   |
| NSVX09x1025              | 87                | 90                           | 9                         | 87                         | 2200       | 2025 | 2345 | 5861  | Ø480 | 1012 | 2510 | 850 x 350  | 925   | 5605  | 1670   |
| NSVX09x1030              | 104               | 90                           | 9                         | 217                        | 2200       | 2025 | 2385 | 6361  | Ø520 | 1012 | 2490 | 1000 x 350 | 925   | 6105  | 1895   |



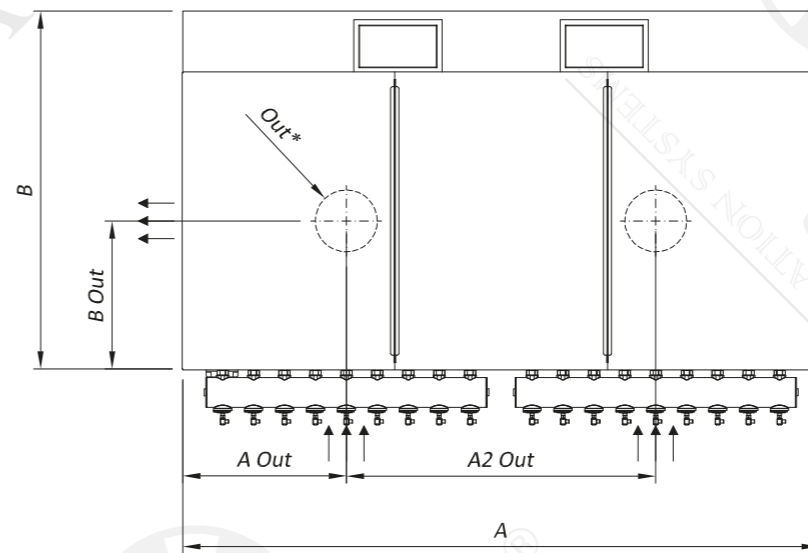
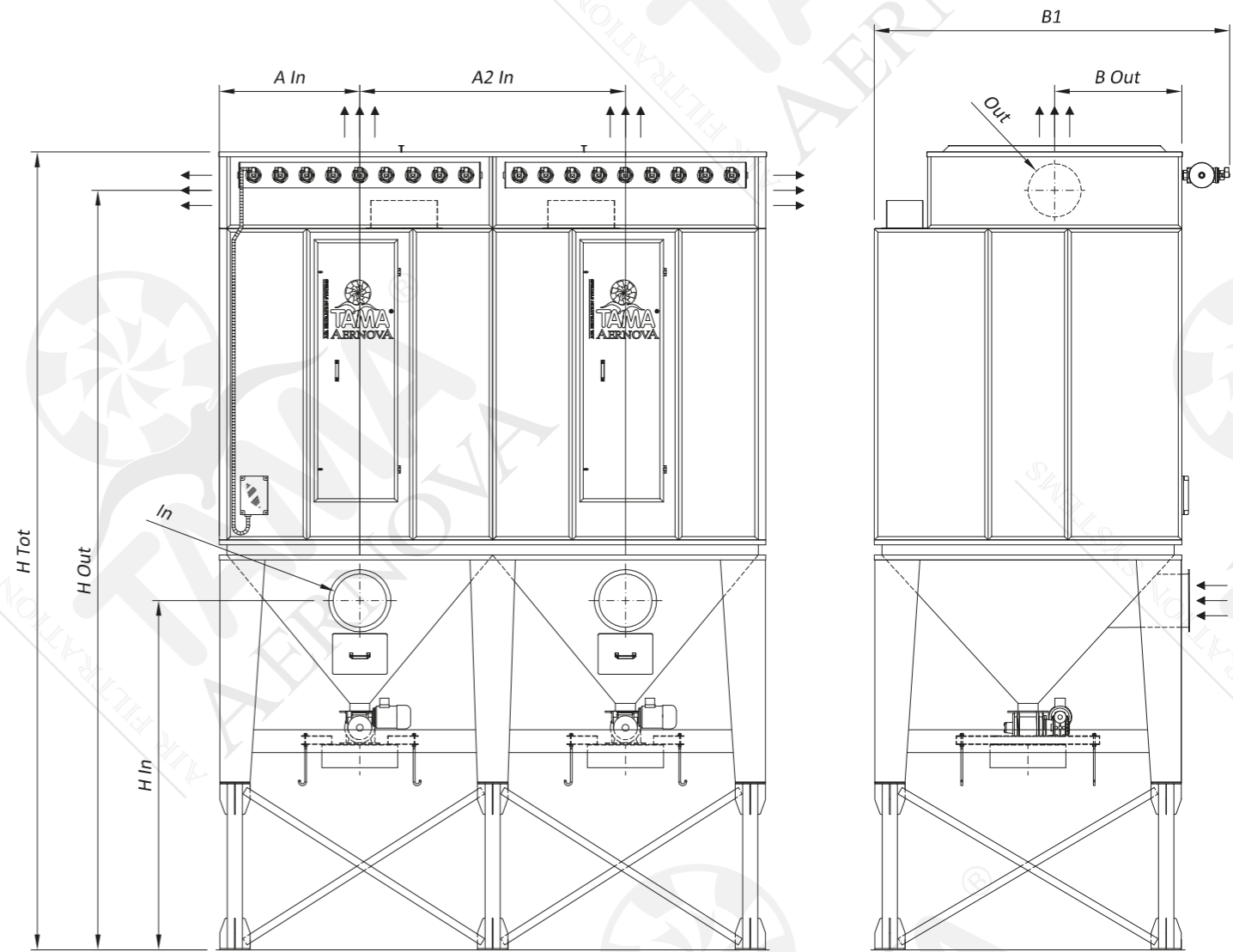
| TECHNICAL SPECIFICATIONS             |  |          |
|--------------------------------------|--|----------|
| Certification code                   | II 3 D Ex h IIC T200°C Dc -10°C<T<40°C |          |
| Max working negative pressure        | Pa                                     | 5000     |
| Working Temperature                  | °C                                     | -10<T<40 |
| Electric control panel feeding       | 230 V AC 50Hz                          |          |
| Bag cleaning system                  | pulse-jet                              |          |
| Compressed air tank working pressure | bar                                    | 5        |
| Rotary valve solid discharge**       | mc/h                                   | 2        |
| Rotary valve power**                 | kW                                     | 0,5      |

\*\* The rotary valve is available also with other configurations. The data are referred to a single rotary valve.

| EXPLOSION CHARACTERISTICS |                          |       |           | DIMENSIONS |     |     |
|---------------------------|--------------------------|-------|-----------|------------|-----|-----|
| Model                     | Number of venting panels | P max | Kst       | LF         | WF  | TF  |
|                           | [-]                      | [bar] | [m bar/s] | [m]        | [m] | [m] |
| NSVX04x0515               | 2                        | 8     | 120       | 13         | 5   | 4   |
| NSVX04x0520               | 2                        | 8     | 100       | 14         | 5   | 4   |
| NSVX04x0525               | 2                        | 8     | 80        | 15         | 5   | 4   |
| NSVX06x0515               | 2                        | 8     | 100       | 14         | 5   | 4   |
| NSVX06x0520               | 2                        | 8     | 80        | 15         | 5   | 4   |
| NSVX06x0525               | 2                        | 8     | 70        | 15         | 6   | 5   |
| NSVX06x0615               | 2                        | 8     | 100       | 15         | 5   | 4   |
| NSVX06x0620               | 2                        | 8     | 70        | 15         | 6   | 5   |
| NSVX06x0625               | 2                        | 8     | 60        | 16         | 6   | 5   |
| NSVX06x0715               | 2                        | 8     | 100       | 15         | 6   | 5   |
| NSVX06x0720               | 2                        | 8     | 70        | 16         | 6   | 5   |
| NSVX06x0725               | 2                        | 8     | 50        | 17         | 6   | 5   |
| NSVX06x0815               | 3                        | 8     | 150       | 16         | 6   | 5   |
| NSVX06x0820               | 3                        | 8     | 100       | 17         | 6   | 5   |
| NSVX06x0825               | 3                        | 8     | 80        | 17         | 6   | 5   |
| NSVX07x0715               | 2                        | 8     | 100       | 15         | 6   | 5   |
| NSVX07x0720               | 2                        | 8     | 70        | 16         | 6   | 5   |
| NSVX07x0725               | 2                        | 8     | 60        | 17         | 6   | 5   |
| NSVX07x0815               | 3                        | 8     | 150       | 16         | 7   | 5   |
| NSVX07x0820               | 3                        | 8     | 100       | 17         | 7   | 5   |
| NSVX07x0825               | 3                        | 8     | 80        | 18         | 7   | 5   |
| NSVX08x0815               | 3                        | 8     | 120       | 17         | 7   | 5   |
| NSVX08x0820               | 3                        | 8     | 100       | 17         | 7   | 5   |
| NSVX08x0825               | 3                        | 8     | 80        | 18         | 7   | 5   |
| NSVX09x0815               | 3                        | 8     | 120       | 17         | 7   | 5   |
| NSVX09x0820               | 3                        | 8     | 100       | 18         | 7   | 5   |
| NSVX09x0825               | 3                        | 8     | 80        | 19         | 8   | 6   |
| NSVX09x0920               | 3                        | 8     | 100       | 18         | 7   | 5   |
| NSVX09x0925               | 3                        | 8     | 70        | 19         | 8   | 6   |
| NSVX09x0930               | 3                        | 8     | 60        | 20         | 8   | 6   |
| NSVX09x1020               | 3                        | 8     | 80        | 19         | 8   | 6   |
| NSVX09x1025               | 3                        | 8     | 70        | 20         | 8   | 6   |
| NSVX09x1030               | 3                        | 8     | 60        | 21         | 8   | 6   |



| TECHNICAL SPECIFICATIONS |                   |                              |                   |                           |                            | DIMENSIONS |      |      |       |            |      |       |      |                  |       |        |       |       |        |
|--------------------------|-------------------|------------------------------|-------------------|---------------------------|----------------------------|------------|------|------|-------|------------|------|-------|------|------------------|-------|--------|-------|-------|--------|
| Model                    | Filtering surface | Number of filtering elements | Number of hoppers | Number of cleaning valves | Compressed air consumption | A          | B    | B1   | H Tot | In         | A In | A2 In | H In | Out              | A Out | A2 Out | B Out | H Out | Weight |
|                          | [m <sup>2</sup> ] | [-]                          | [-]               | [-]                       | [Nl/activ]                 | [mm]       | [mm] | [mm] | [mm]  | [mm]       | [mm] | [mm]  | [mm] | [mm]             | [mm]  | [mm]   | [mm]  | [mm]  | [kg]   |
| NSVX24x0820              | 148               | 192                          | 3                 | 24                        | 87                         | 4825       | 2025 | 2345 | 5461  | 3 x (Ø350) | 820  | 1591  | 2575 | 2 x (750 x 350)  | -     | -      | 837   | 5205  | 3130   |
| NSVX24x0825              | 185               | 192                          | 3                 | 24                        | 87                         | 4825       | 2025 | 2345 | 5961  | 3 x (Ø400) | 820  | 1591  | 2550 | 2 x (900 x 350)  | -     | -      | 837   | 5705  | 3455   |
| NSVX24x0830              | 222               | 192                          | 3                 | 24                        | 217                        | 4825       | 2025 | 2385 | 6461  | 3 x (Ø420) | 820  | 1591  | 2540 | 2 x (1100 x 350) | -     | -      | 837   | 6205  | 3855   |
| NSVX27x0820              | 167               | 216                          | 3                 | 27                        | 87                         | 5350       | 2025 | 2345 | 5461  | 3 x (Ø380) | 908  | 1766  | 2560 | 2 x (800 x 350)  | -     | -      | 837   | 5205  | 3325   |
| NSVX27x0825              | 209               | 216                          | 3                 | 27                        | 87                         | 5350       | 2025 | 2345 | 5961  | 3 x (Ø420) | 908  | 1766  | 2540 | 2 x (1000 x 350) | -     | -      | 837   | 5705  | 3700   |
| NSVX27x0830              | 250               | 216                          | 3                 | 27                        | 217                        | 5350       | 2025 | 2385 | 6461  | 3 x (Ø450) | 908  | 1766  | 2525 | 2 x (1200 x 350) | -     | -      | 837   | 6205  | 4125   |
| NSVX27x0920              | 188               | 243                          | 3                 | 27                        | 87                         | 5350       | 2375 | 2695 | 5561  | 3 x (Ø400) | 908  | 1766  | 2650 | 2 x (900 x 350)  | -     | -      | 1012  | 5305  | 3820   |
| NSVX27x0925              | 235               | 243                          | 3                 | 27                        | 87                         | 5350       | 2375 | 2695 | 6061  | 3 x (Ø450) | 908  | 1766  | 2625 | 2 x (1150 x 350) | -     | -      | 1012  | 5805  | 4220   |
| NSVX27x0930              | 282               | 243                          | 3                 | 27                        | 217                        | 5350       | 2375 | 2735 | 6561  | 3 x (Ø480) | 908  | 1766  | 2610 | 2 x (1350 x 350) | -     | -      | 1012  | 6305  | 4695   |
| NSVX30x1020              | 232               | 300                          | 3                 | 30                        | 87                         | 5875       | 2375 | 2695 | 5861  | 3 x (Ø450) | 995  | 1941  | 2925 | 3 x (Ø580)       | 1012  | 1925   | 1012  | -     | 4220   |
| NSVX30x1025              | 290               | 300                          | 3                 | 30                        | 87                         | 5875       | 2375 | 2695 | 6361  | 3 x (Ø500) | 995  | 1941  | 2900 | 3 x (Ø650)       | 1012  | 1925   | 1012  | -     | 4670   |
| NSVX30x1030              | 348               | 300                          | 3                 | 30                        | 217                        | 5875       | 2375 | 2735 | 6861  | 3 x (Ø550) | 995  | 1941  | 2875 | 3 x (Ø710)       | 1012  | 1925   | 1012  | -     | 5220   |
| NSVX33x1020              | 255               | 330                          | 3                 | 33                        | 217                        | 6400       | 2375 | 2735 | 6861  | 3 x (Ø480) | 1083 | 2116  | 2910 | 3 x (Ø600)       | 1100  | 2100   | 1012  | -     | 4595   |
| NSVX33x1025              | 319               | 330                          | 3                 | 33                        | 217                        | 6400       | 2375 | 2735 | 7361  | 3 x (Ø520) | 1083 | 2116  | 2890 | 3 x (Ø680)       | 1100  | 2100   | 1012  | -     | 5095   |
| NSVX33x1030              | 382               | 330                          | 3                 | 33                        | 217                        | 6400       | 2375 | 2735 | 7861  | 3 x (Ø580) | 1083 | 2116  | 2860 | 3 x (Ø750)       | 1100  | 2100   | 1012  | -     | 5570   |
| NSVX36x1020              | 278               | 360                          | 3                 | 36                        | 87                         | 6925       | 2375 | 2695 | 6861  | 3 x (Ø480) | 1170 | 2291  | 2910 | 3 x (Ø630)       | 1187  | 2275   | 1012  | -     | 4775   |
| NSVX36x1025              | 348               | 360                          | 3                 | 36                        | 87                         | 6925       | 2375 | 2695 | 7361  | 3 x (Ø550) | 1170 | 2291  | 2875 | 3 x (Ø710)       | 1187  | 2275   | 1012  | -     | 5275   |
| NSVX36x1030              | 417               | 360                          | 3                 | 36                        | 217                        | 6925       | 2375 | 2735 | 7861  | 3 x (Ø600) | 1170 | 2291  | 2850 | 3 x (Ø750)       | 1187  | 2275   | 1012  | -     | 5900   |
| NSVX44x1025              | 425               | 440                          | 4                 | 44                        | 217                        | 8500       | 2375 | 2735 | 6361  | 4 x (Ø520) | 1081 | 2112  | 2890 | 4 x (Ø680)       | 1100  | 2100   | 1012  | -     | 6700   |
| NSVX44x1030              | 510               | 440                          | 4                 | 44                        | 217                        | 8500       | 2375 | 2735 | 6861  | 4 x (Ø580) | 1081 | 2112  | 2860 | 4 x (Ø750)       | 1100  | 2100   | 1012  | -     | 7325   |
| NSVX50x1025              | 483               | 500                          | 5                 | 50                        | 217                        | 9725       | 2375 | 2735 | 6461  | 5 x (Ø500) | 992  | 1935  | 3000 | 5 x (Ø650)       | 1012  | 1925   | 1012  | -     | 7860   |
| NSVX50x1030              | 579               | 500                          | 5                 | 50                        | 217                        | 9725       | 2375 | 2735 | 6961  | 5 x (Ø550) | 992  | 1935  | 2975 | 5 x (Ø710)       | 1012  | 1925   | 1012  | -     | 8560   |
| NSVX60x1025              | 579               | 600                          | 6                 | 60                        | 217                        | 11650      | 2375 | 2735 | 6361  | 6 x (Ø500) | 991  | 1933  | 2900 | 6 x (Ø630)       | 1012  | 1925   | 1012  | -     | 9480   |
| NSVX60x1030              | 695               | 600                          | 6                 | 60                        | 217                        | 11650      | 2375 | 2735 | 6861  | 6 x (Ø550) | 991  | 1933  | 2875 | 6 x (Ø710)       | 1012  | 1925   | 1012  | -     | 10305  |



| TECHNICAL SPECIFICATIONS             |   |          |
|--------------------------------------|---|----------|
| Certification code                   | II 3 D Ex h IIIC T200°C Dc -10°C<T<40°C |          |
| Max working negative pressure        | Pa                                      | 5000     |
| Working Temperature                  | °C                                      | -10<T<40 |
| Electric control panel feeding       | 230 V AC 50Hz                           |          |
| Bag cleaning system                  | pulse-jet                               |          |
| Compressed air tank working pressure | bar                                     | 5        |
| Rotary valve solid discharge**       | mc/h                                    | 2        |
| Rotary valve power**                 | kW                                      | 0,5      |

\*\* The rotary valve is available also with other configurations. The data are referred to a single rotary valve.

| EXPLOSION CHARACTERISTICS |                          |       |           | DIMENSIONS |     |     |
|---------------------------|--------------------------|-------|-----------|------------|-----|-----|
| Model                     | Number of venting panels | P max | Kst       | LF         | WF  | TF  |
|                           | [-]                      | [bar] | [m bar/s] | [m]        | [m] | [m] |
| NSVX24x0820               | 9                        | 8,9   | 199       | 25         | 11  | 7   |
| NSVX24x0825               | 9                        | 8     | 150       | 26         | 12  | 8   |
| NSVX24x0830               | 9                        | 8     | 120       | 27         | 12  | 8   |
| NSVX27x0820               | 10                       | 8,9   | 199       | 26         | 13  | 8   |
| NSVX27x0825               | 10                       | 8     | 150       | 27         | 13  | 8   |
| NSVX27x0830               | 10                       | 8     | 150       | 28         | 13  | 8   |
| NSVX27x0920               | 10                       | 8     | 150       | 28         | 13  | 8   |
| NSVX27x0925               | 10                       | 8     | 150       | 29         | 13  | 8   |
| NSVX27x0930               | 10                       | 8     | 120       | 30         | 14  | 9   |
| NSVX30x1020               | 11                       | 8     | 150       | 28         | 13  | 8   |
| NSVX30x1025               | 11                       | 8     | 150       | 30         | 14  | 9   |
| NSVX30x1030               | 11                       | 8     | 150       | 31         | 14  | 9   |
| NSVX33x1020               | 12                       | 8     | 150       | 29         | 14  | 8   |
| NSVX33x1025               | 12                       | 8     | 150       | 30         | 15  | 9   |
| NSVX33x1030               | 12                       | 8     | 150       | 32         | 15  | 9   |
| NSVX36x1020               | 13                       | 8     | 150       | 30         | 15  | 9   |
| NSVX36x1025               | 13                       | 8     | 150       | 31         | 15  | 9   |
| NSVX36x1030               | 13                       | 8     | 150       | 32         | 15  | 9   |
| NSVX44x1025               | 16                       | 8     | 150       | 33         | 18  | 10  |
| NSVX44x1030               | 16                       | 8     | 150       | 35         | 18  | 10  |
| NSVX50x1025               | 18                       | 8     | 150       | 35         | 19  | 10  |
| NSVX50x1030               | 18                       | 8     | 150       | 36         | 20  | 11  |
| NSVX60x1025               | 22                       | 8     | 150       | 37         | 22  | 11  |
| NSVX60x1030               | 22                       | 8     | 150       | 39         | 22  | 11  |

