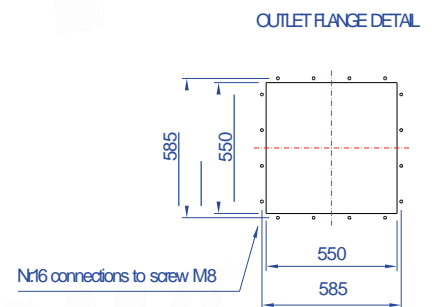
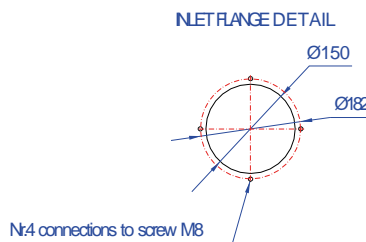
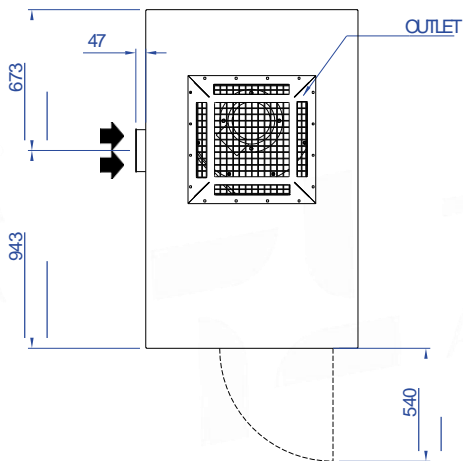
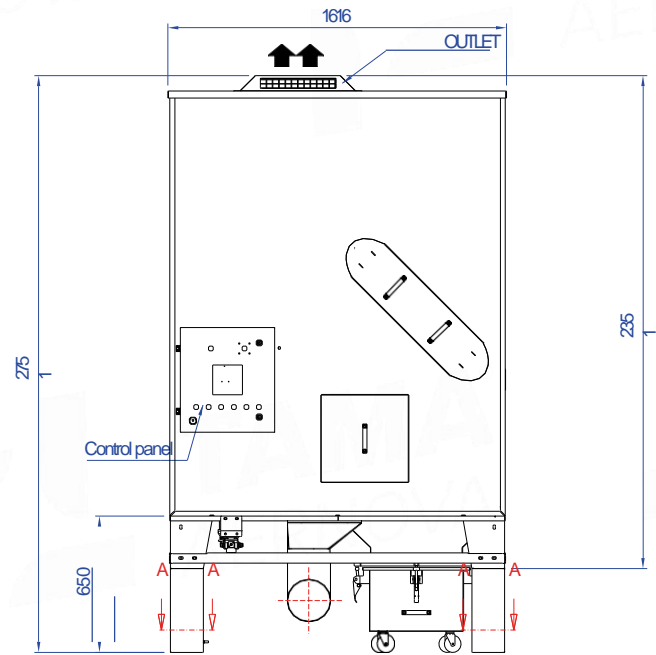
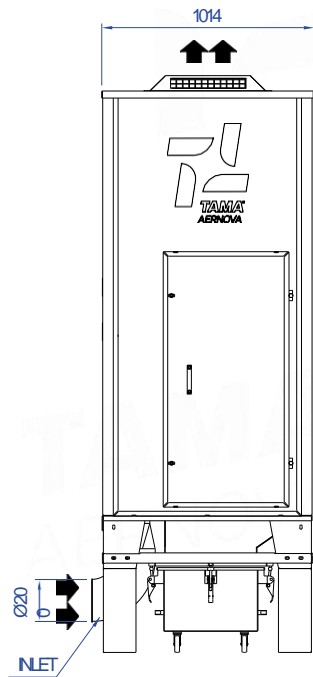


GROUND FASTENING LAYOUT (SECTION A-A)



TECHNICAL SPECIFICATIONS		OPF 1x2
Weight	kg	615
Number of filtering elements	nr	2
Filtering surface	m ²	42
Filtering efficiency	99,999% on 0,5 micron dust particles	
Max working under pressure	Pa	5000
Working temperature	°C	-10<T<40
Pneumatic feeding (ISO Class 24.1 according to 8573-1:2010)	Ø-bar	1/2" GAS
Electric feeding	400 V - 50Hz	
Cartridges cleaning system	pulse-jet	
Number of cleaning valves	nr	2
Type of cleaning valves	Ø1" - 24 V DC	
Compressed air tank working pressure	bar	4,5

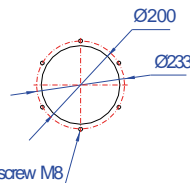
PERFORMANCE CHARACTERISTICS		
Nominal air flow	m ³ /h	1650/2500
Nominal static pressure	Pa	3300/2380
Nominal fan power	kW	4
Max compressed air consumption	NI/min	360



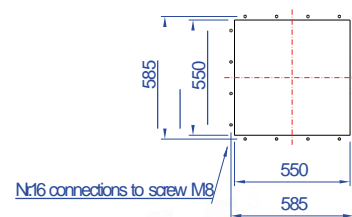
GROUND FASTENING LAYOUT (SECTION A-A)



INLET FLANGE DETAIL

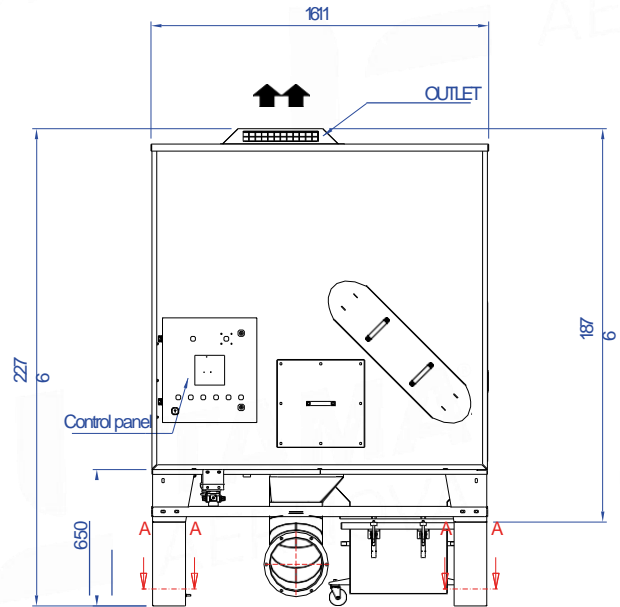
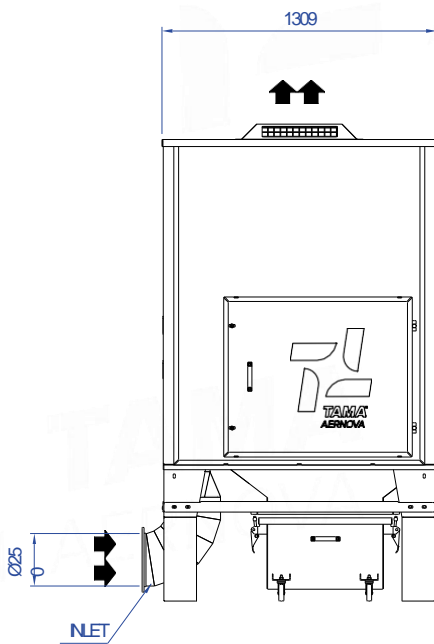


OUTLET FLANGE DETAIL

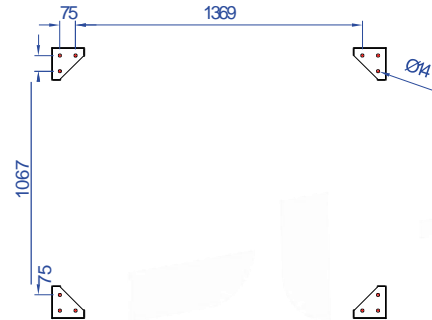
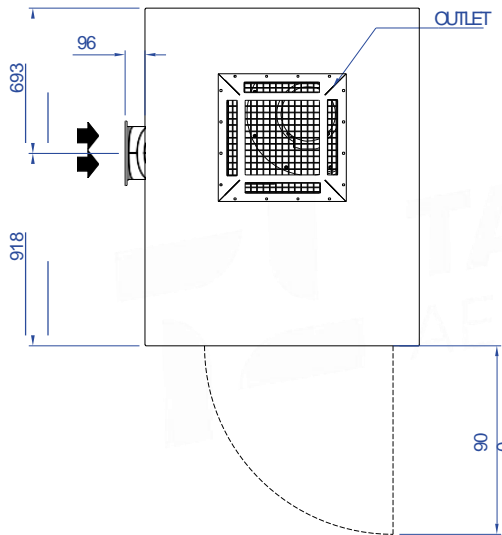


TECHNICAL SPECIFICATIONS		OPF 1x3
Weight	kg	765
Number of filtering elements	nr	3
Filtering surface	m ²	63
Filtering efficiency	99,999% on 0,5 micron dust particles	
Max working under pressure	Pa	5000
Working temperature	°C	-10<T<40
Pneumatic feeding (ISO Class 24.1 according to 8573-1:2010)	Ø-bar	1/2" GAS
Electric feeding	400 V - 50Hz	
Cartridges cleaning system	pulse-jet	
Number of cleaning valves	nr	3
Type of cleaning valves	Ø1" - 24 V DC	
Compressed air tank working pressure	bar	4,5

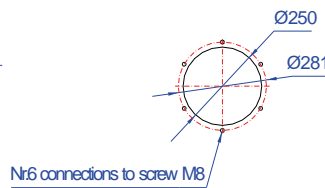
PERFORMANCE CHARACTERISTICS		
Nominal air flow	m ³ /h	2500/3750
Nominal static pressure	Pa	3150/2580
Nominal fan power	kW	4
Max compressed air consumption	NI/min	360



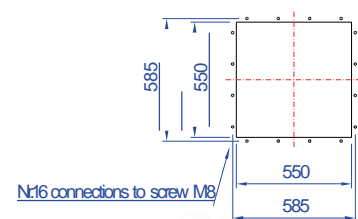
GROUND FASTENING LAYOUT (SECTION A-A)



NLET FLANGE DETAIL

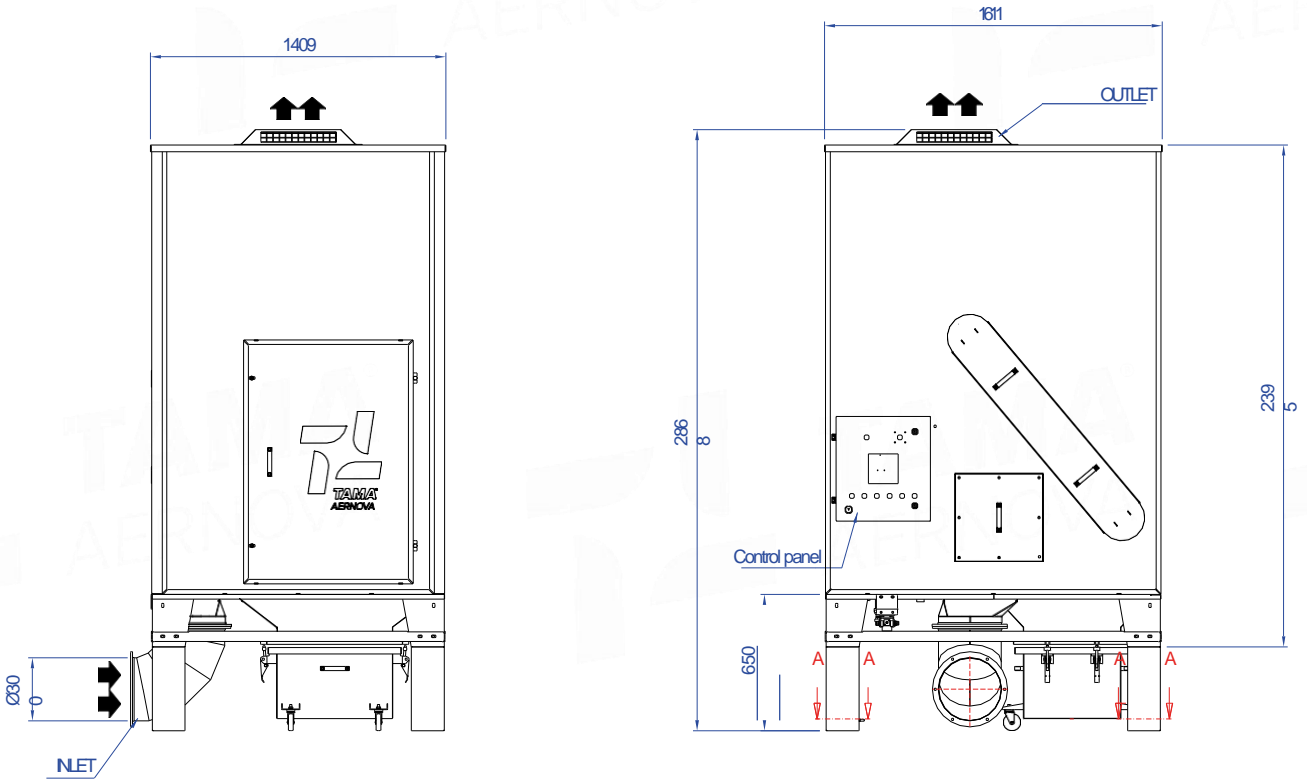


OUTLET FLANGE DETAIL

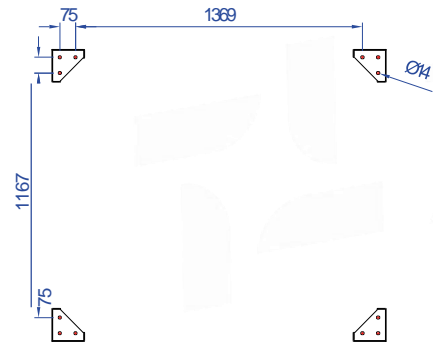
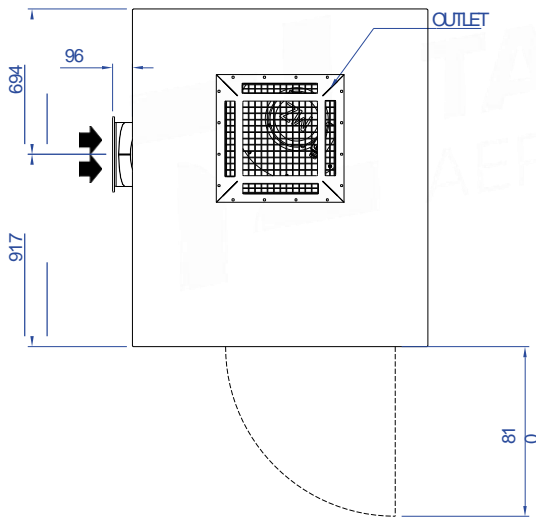


TECHNICAL SPECIFICATIONS		OPF 2x2
Weight	kg	790
Number of filtering elements	nr	4
Filtering surface	m ²	84
Filtering efficiency	99,999% on 0,5 micron dust particles	
Max working under pressure	Pa	5000
Working temperature	°C	-10<T<40
Pneumatic feeding (ISO Class 24.1 according to 8573-1:2010)	Ø-bar	1/2" GAS
Electric feeding	400 V - 50Hz	
Cartridges cleaning system	pulse-jet	
Number of cleaning valves	nr	4
Type of cleaning valves	Ø1" - 24 V DC	
Compressed air tank working pressure	bar	4,5

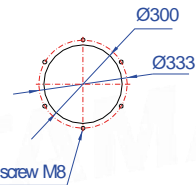
PERFORMANCE CHARACTERISTICS		
Nominal air flow	m ³ /h	3300/5000
Nominal static pressure	Pa	3120/2400
Nominal fan power	kW	5,5
Max compressed air consumption	NI/min	360



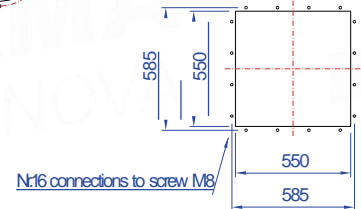
GROUND FASTENING LAYOUT (SECTION A-A)



NET FLANGE DETAIL



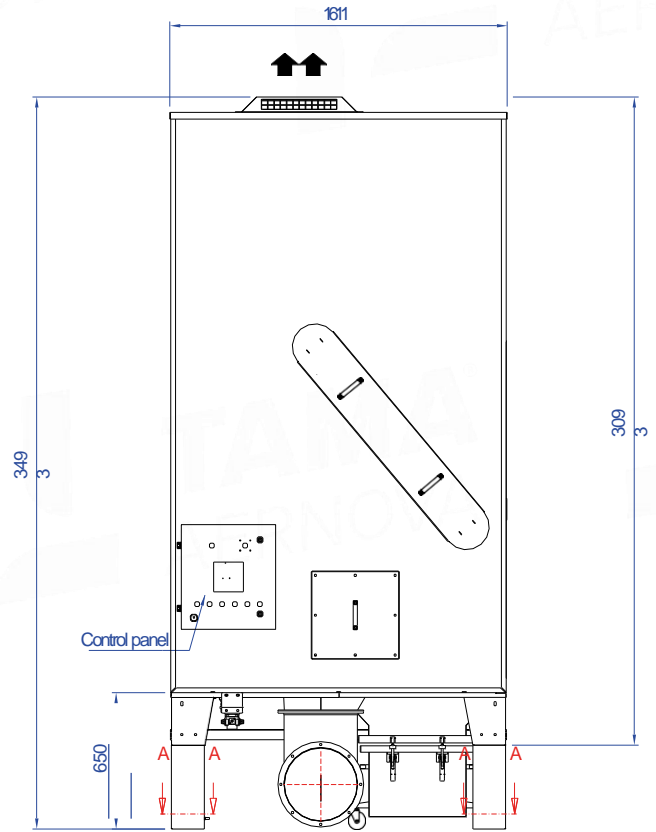
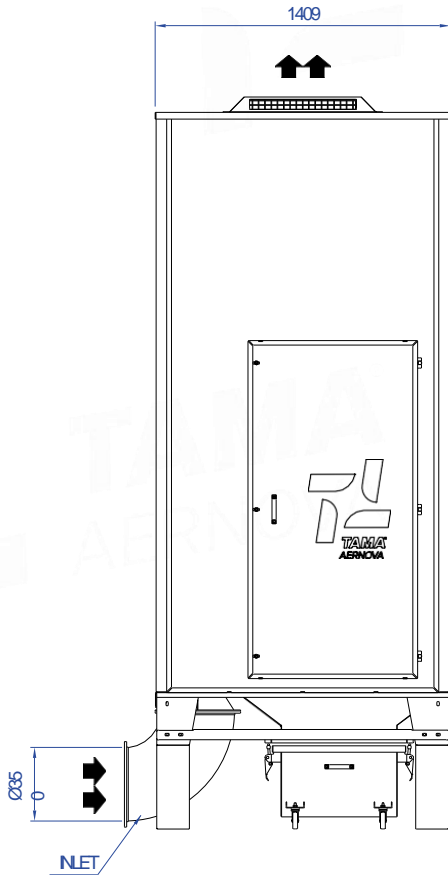
OUTLET FLANGE DETAIL



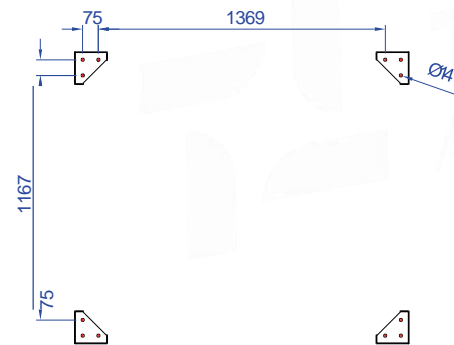
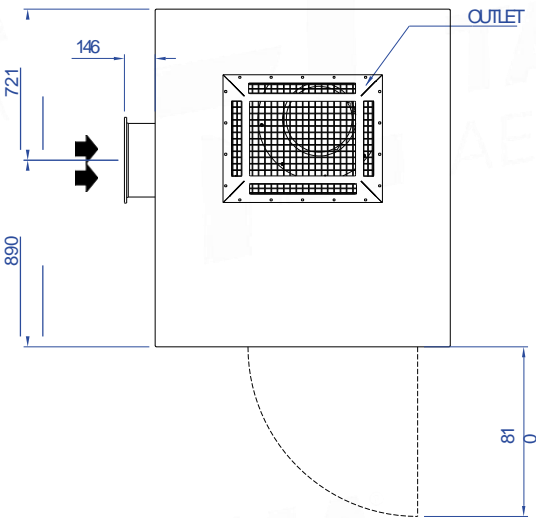
TECHNICAL SPECIFICATIONS		OPF 2x3
Weight	kg	946
Number of filtering elements	nr	6
Filtering surface	m ²	126
Filtering efficiency	99,999% on 0,5 micron dust particles	
Max working under pressure	Pa	5000
Working temperature	°C	-10<T<40
Pneumatic feeding (ISO Class 24.1 according to 8573-1:2010)	Ø-bar	1/2" GAS
Electric feeding	400 V - 50Hz	
Cartridges cleaning system	pulse-jet	
Number of cleaning valves	nr	6
Type of cleaning valves	Ø1" - 24 V DC	
Compressed air tank working pressure	bar	4,5

PERFORMANCE CHARACTERISTICS

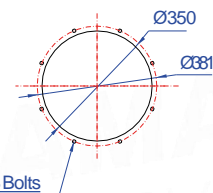
Nominal air flow	m ³ /h	5000/7500
Nominal static pressure	Pa	3130/2590
Nominal fan power	kW	7,5
Max compressed air consumption	NI/min	360



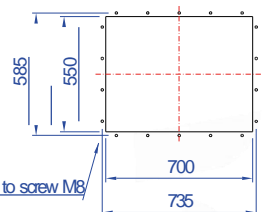
GROUND FASTENING LAYOUT (SECTION AA)



NLET FLANGE DETAIL

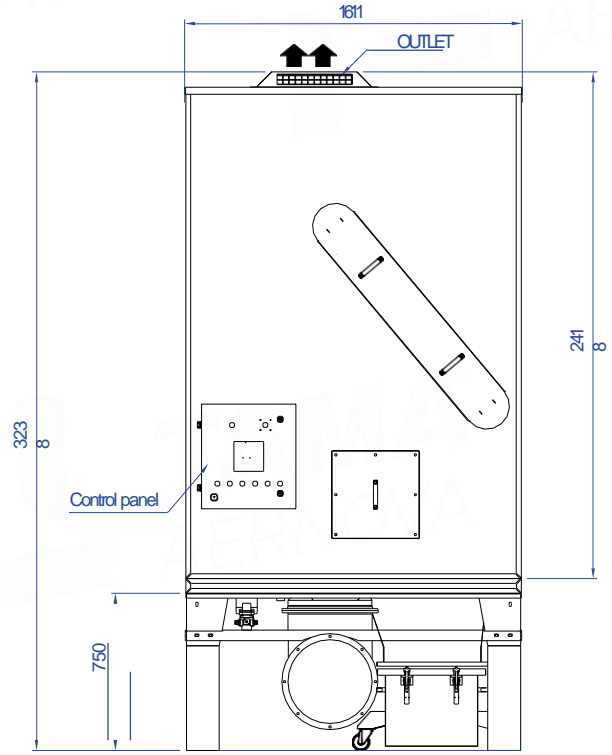
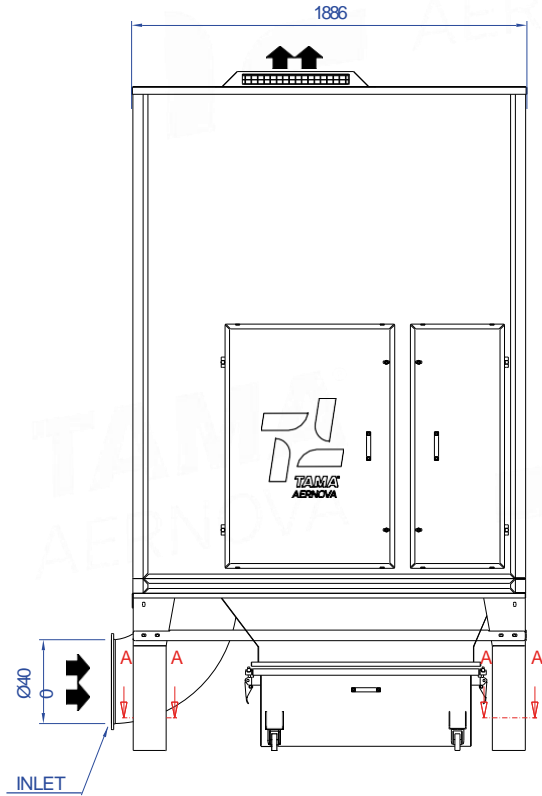


OUTLET FLANGE DETAIL

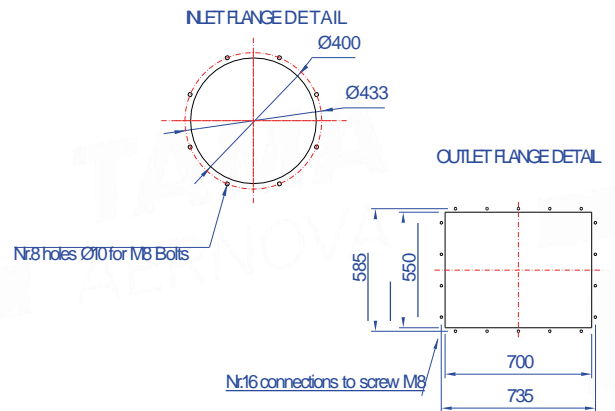
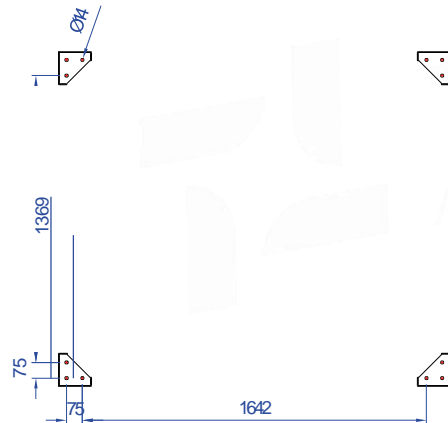
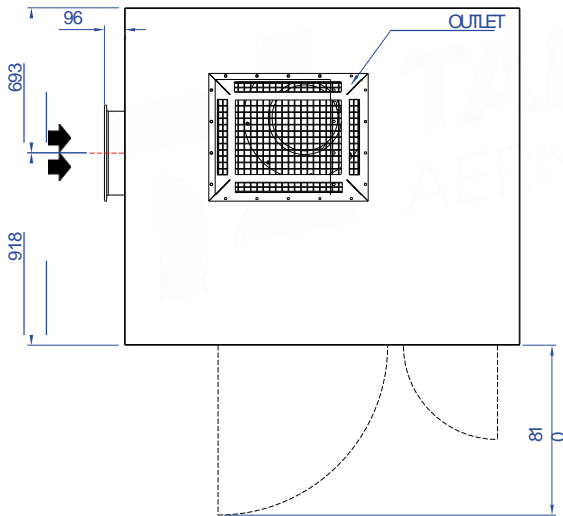


TECHNICAL SPECIFICATIONS		OPF 2x4
Weight	kg	1200
Number of filtering elements	nr	8
Filtering surface	m ²	168
Filtering efficiency	99,999% on 0,5 micron dust particles	
Max working under pressure	Pa	5000
Working temperature	°C	-10<T<40
Pneumatic feeding (ISO Class 24.1 according to 8573-1:2010)	Ø-bar	1/2" GAS
Electric feeding	400 V - 50Hz	
Cartridges cleaning system	pulse-jet	
Number of cleaning valves	nr	8
Type of cleaning valves	Ø1" - 24 V DC	
Compressed air tank working pressure	bar	4,5

PERFORMANCE CHARACTERISTICS		
Nominal air flow	m ³ /h	6600/10000
Nominal static pressure	Pa	3450/2470
Nominal fan power	kW	11
Max compressed air consumption	NI/min	360

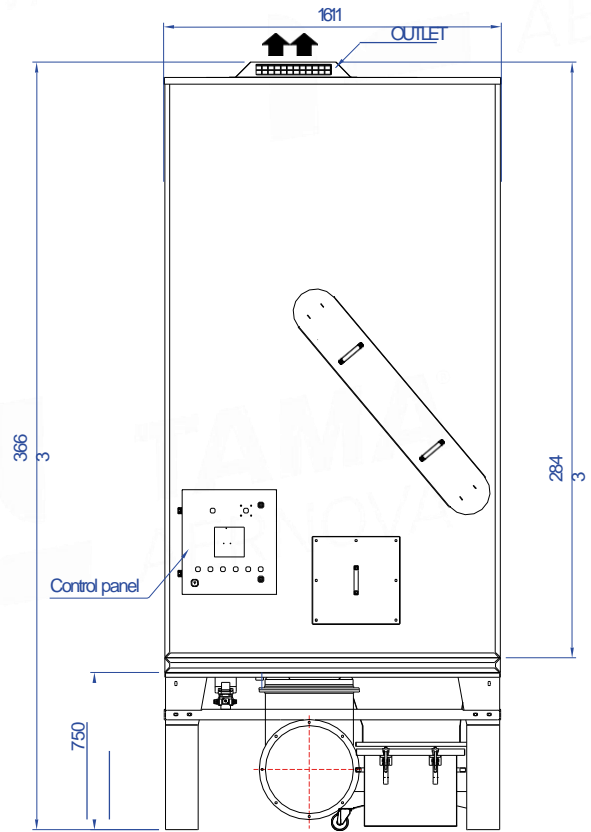
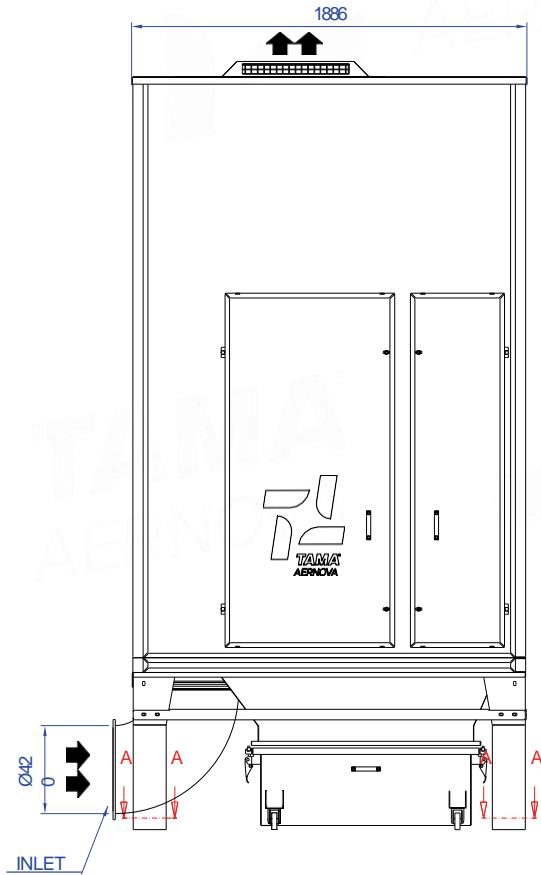


GROUND FASTENING LAYOUT (SECTION A-A)

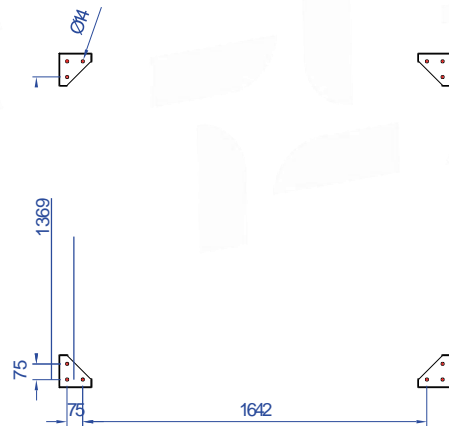
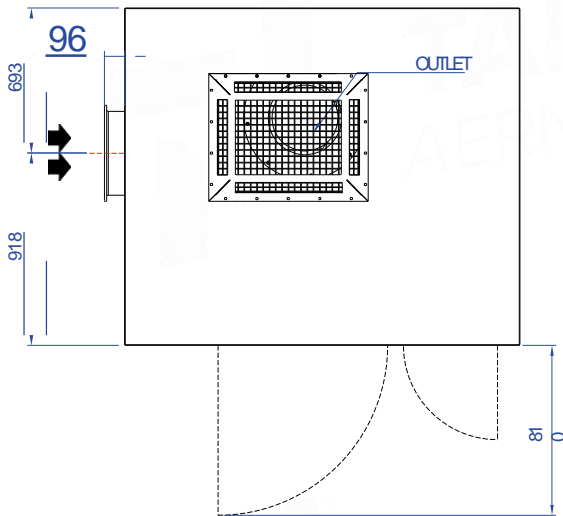


TECHNICAL SPECIFICATIONS		OPF 3x3
Weight	kg	1200
Number of filtering elements	nr	9
Filtering surface	m ²	188
Filtering efficiency	99,999% on 0,5 micron dust particles	
Max working under pressure	Pa	5000
Working temperature	°C	-10<T<40
Pneumatic feeding (ISO Class 24.1 according to 8573-1:2010)	Ø-bar	1/2" GAS
Electric feeding	400 V - 50Hz	
Cartridges cleaning system	pulse-jet	
Number of cleaning valves	nr	9
Type of cleaning valves	Ø1" - 24 V DC	
Compressed air tank working pressure	bar	4,5

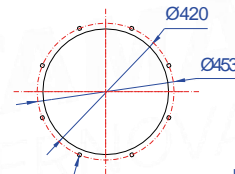
PERFORMANCE CHARACTERISTICS		
Nominal air flow	m ³ /h	7500/11250
Nominal static pressure	Pa	3300/2260
Nominal fan power	kW	11
Max compressed air consumption	NI/min	360



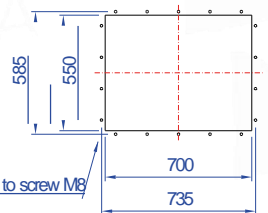
GROUND FASTENING LAYOUT (SECTION A-A)



INLET FLANGE DETAIL



OUTLET FLANGE DETAIL



TECHNICAL SPECIFICATIONS		OPF 3x4
Weight	kg	
Number of filtering elements	nr	12
Filtering surface	m ²	252
Filtering efficiency	99,999% on 0,5 micron dust particles	
Max working under pressure	Pa	
Working temperature	°C	-10<T<40
Pneumatic feeding (ISO Class 24.1 according to 8573-1:2010)	Ø-bar	1/2" GAS
Electric feeding	400 V - 50Hz	
Cartridges cleaning system	pulse-jet	
Number of cleaning valves	nr	12
Type of cleaning valves	Ø1" - 24 V DC	
Compressed air tank working pressure	bar	4,5

PERFORMANCE CHARACTERISTICS

Nominal air flow	m ³ /h	10000/15000
Nominal static pressure	Pa	3540/2180
Nominal fan power	kW	15
Max compressed air consumption	NI/min	360