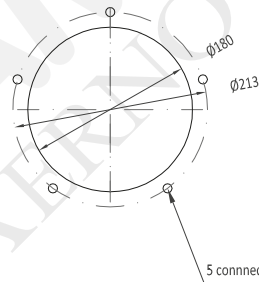
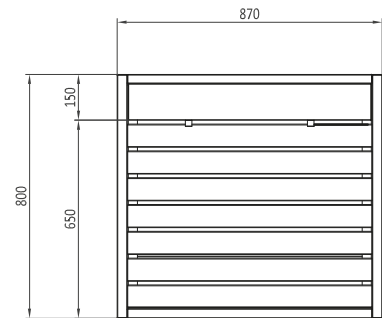
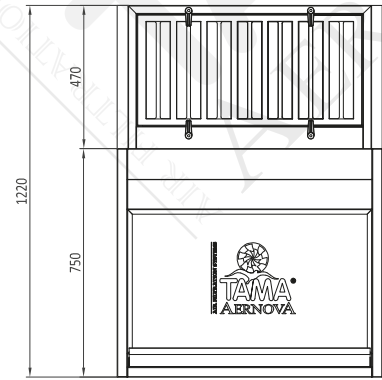


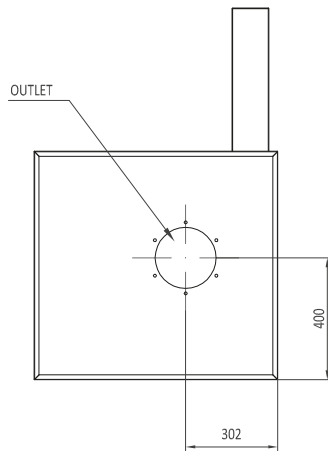
OUTLET FLANGE DETAIL



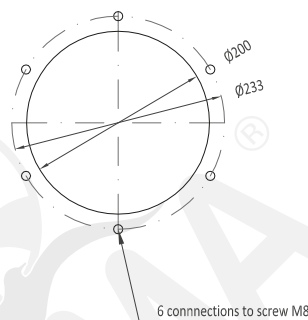
5 connections to screw M8



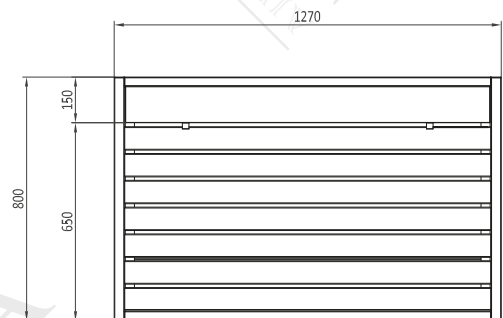
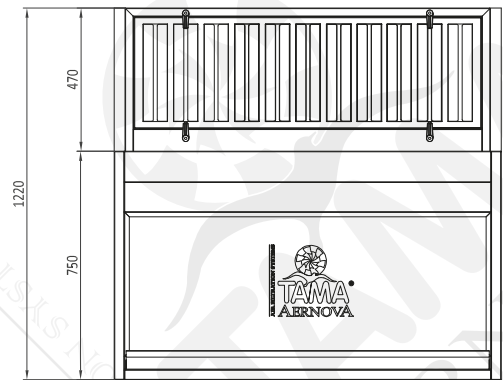
TECHNICAL SPECIFICATIONS		
ITEM	WD - 1600	
Weight	kg	74
PERFORMANCE CHARACTERISTICS		
Nominal air flow	m ³ /h	1600



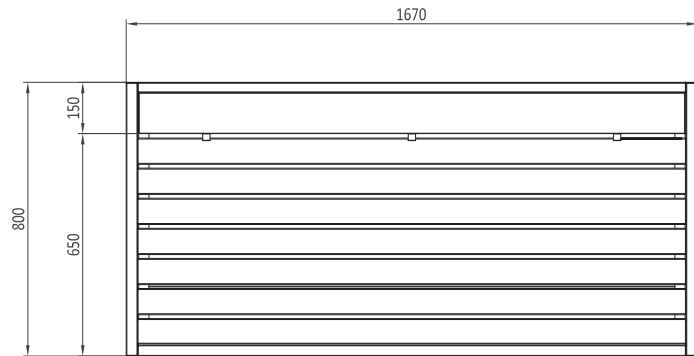
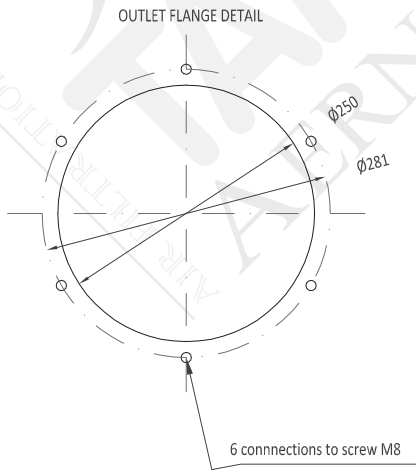
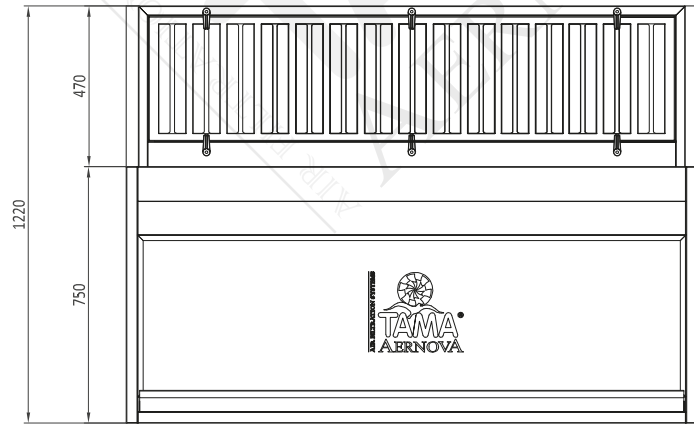
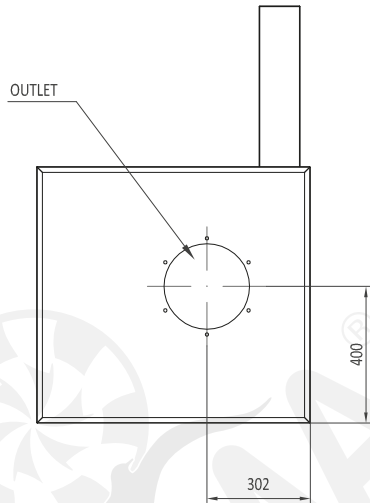
OUTLET FLANGE DETAIL



6 connections to screw M8



TECHNICAL SPECIFICATIONS		
ITEM	WD - 2000	
Weight	kg	104
PERFORMANCE CHARACTERISTICS		
Nominal air flow	m ³ /h	2000



TECHNICAL SPECIFICATIONS		
ITEM	WD - 3000	
Weight	kg	134
PERFORMANCE CHARACTERISTICS		
Nominal air flow	m ³ /h	3000