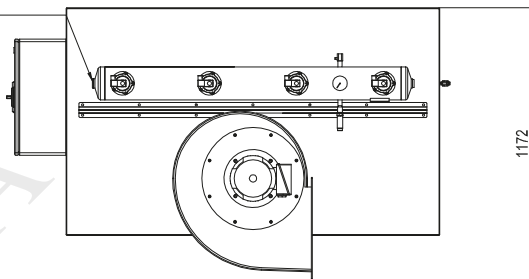
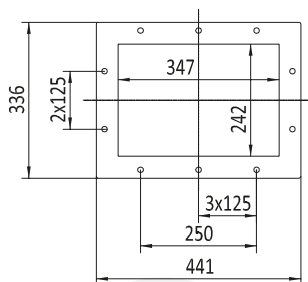


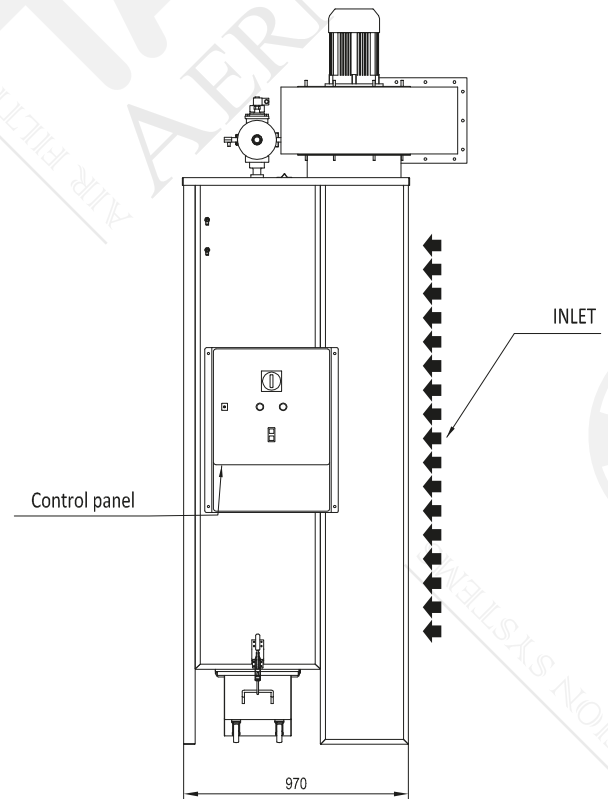
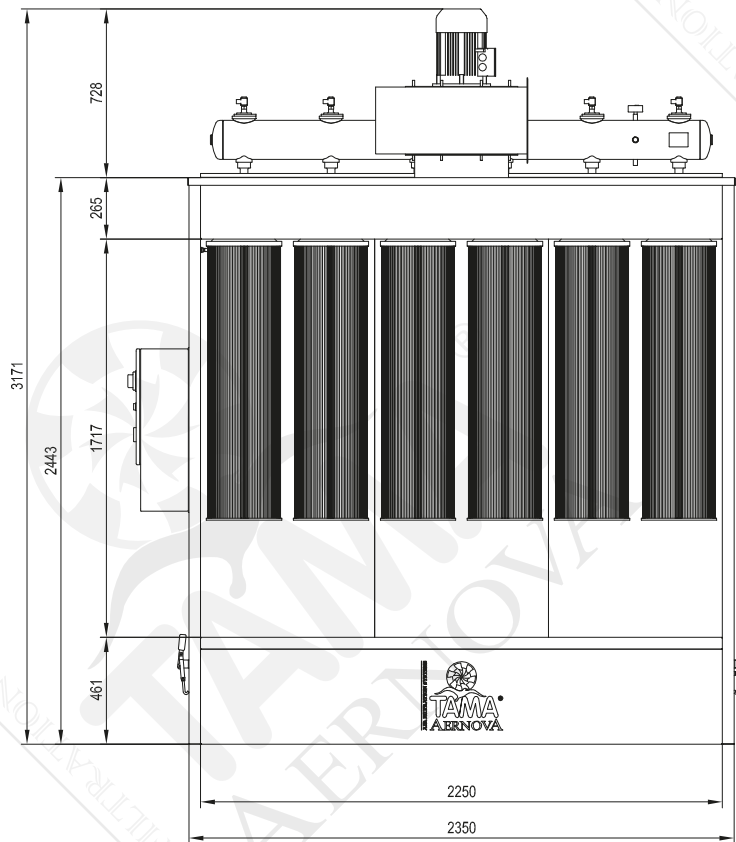
Compressed air connection



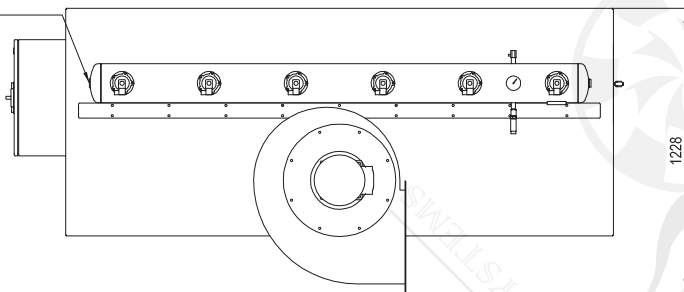
OUTLET FLANGE DETAIL



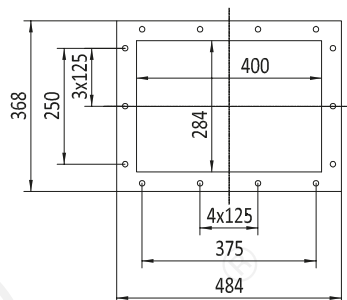
TECHNICAL SPECIFICATIONS		
ITEM CODE	MANUCOMPACT 4000	
Certification code	II 3 D Ex tD A22 T200°C -10<T<40	
Weight	kg	540
Number of filtering elements	nr	4
Filtering surface	m ²	76
Working Temperature	°C	-10<T<40
Pneumatic feeding (ISO Class 2.4.1 according 8573-1:2010)	Ø	1" GAS
Electric feeding	230/400 V - 50/60Hz	
Cartridge cleaning system	pulse-jet	
Number of cleaning valves	nr	4
Type of cleaning valves	Ø 1" - 24 V DC	
Compressed air tank working pressure	bar	4,5
PERFORMANCE CHARACTERISTICS		
Nominal air flow	m ³ /h	4000
Nominal fan power	kW	3
Max compressed air consumption	NI/shot	87



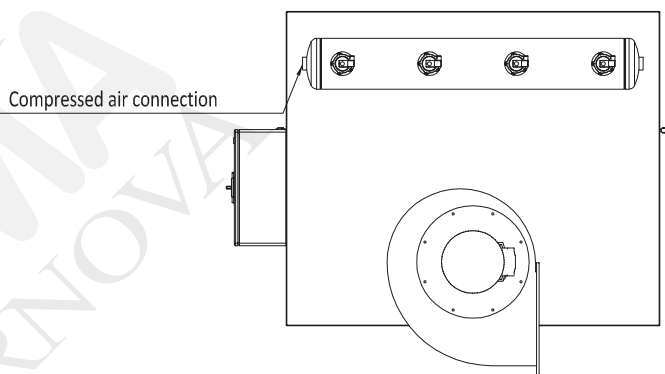
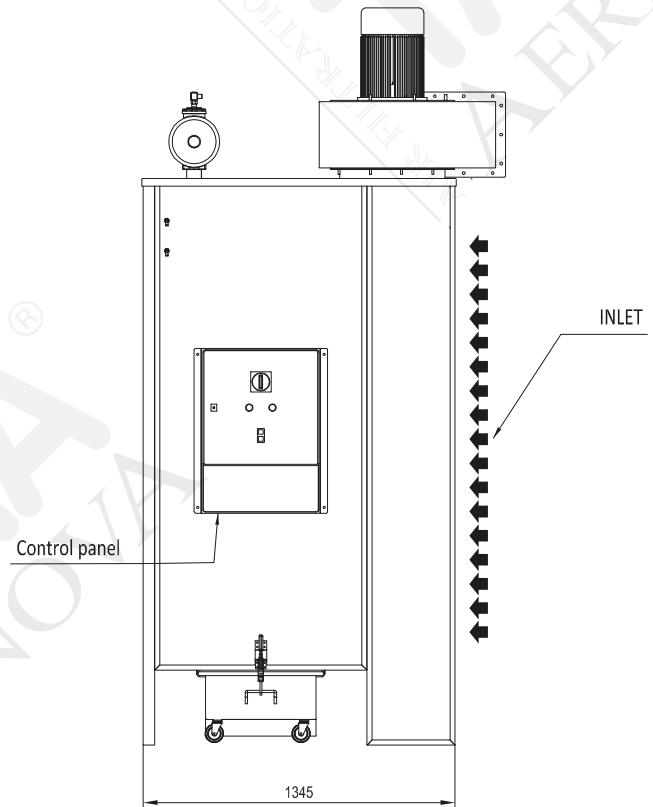
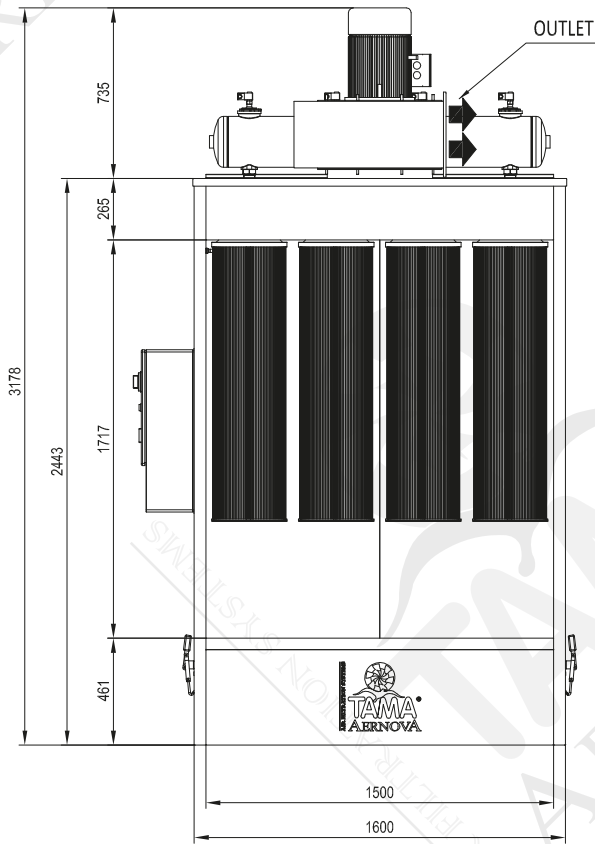
sed air connection



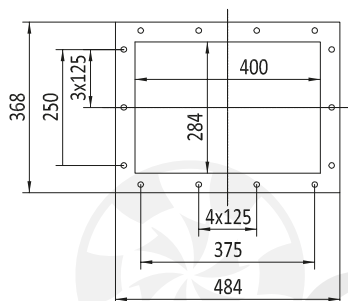
OUTLET FLANGE DETAIL



TECHNICAL SPECIFICATIONS		
ITEM CODE	MANUCOMPACT 6000	
Certification code	II 3 D Ex tD A22 T200°C -10<T<40	
Weight	kg	680
Number of filtering elements	nr	6
Filtering surface	m ²	114
Working Temperature	°C	-10<T<40
Pneumatic feeding (ISO Class 2.4.1 according 8573-1:2010)	∅	1" GAS
Electric feeding	230/400 V - 50/60Hz	
Cartridge cleaning system	pulse-jet	
Number of cleaning valves	nr	6
Type of cleaning valves	∅ 1" - 24 V DC	
Compressed air tank working pressure	bar	4.5
PERFORMANCE CHARACTERISTICS		
Nominal air flow	m ³ /h	6000
Nominal fan power	kW	4
Max compressed air consumption	Nl/shot	87



OUTLET FLANGE DETAIL



TECHNICAL SPECIFICATIONS		
ITEM CODE	MANUCOMPACT 8000	
Certification code	II 3 D Ex tD A22 T200°C -10<T<40	
Weight	kg	1030
Number of filtering elements	nr	8
Filtering surface	m ²	152
Working Temperature	°C	-10<T<40
Pneumatic feeding (ISO Class 2.4.1 according 8573-1:2010)	Ø	1" 1/2 GAS
Electric feeding	230/400 V - 50/60Hz	
Cartridge cleaning system	pulse-jet	
Number of cleaning valves	nr	4
Type of cleaning valves	Ø 1" 1/2 - 24 V DC	
Compressed air tank working pressure	bar	4,5
PERFORMANCE CHARACTERISTICS		
Nominal air flow	m ³ /h	8000
Nominal fan power	kW	5,5
Max compressed air consumption	NI/shot	217