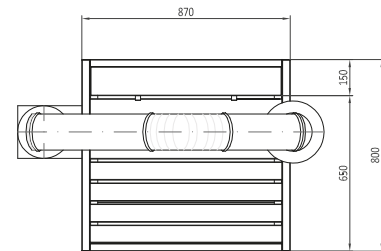
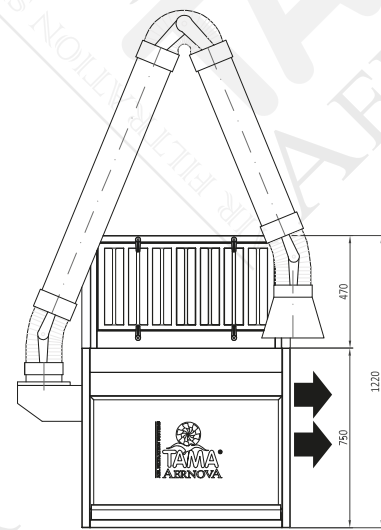
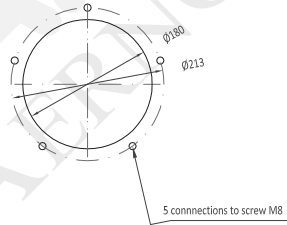
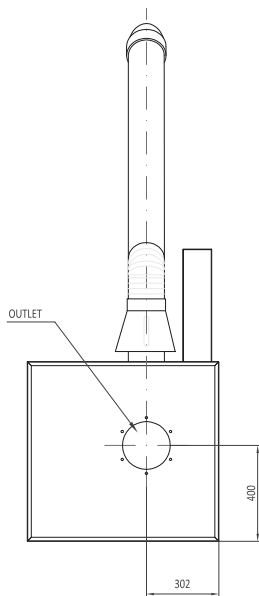


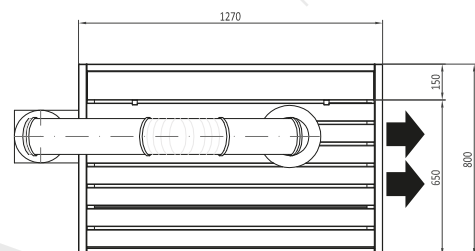
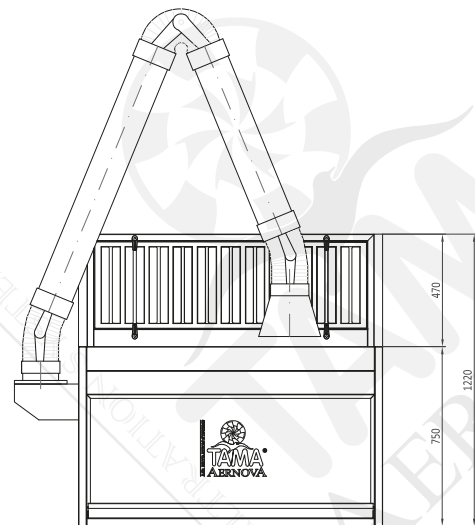
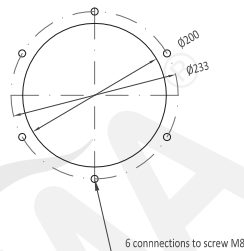
OUTLET FLANGE DETAIL



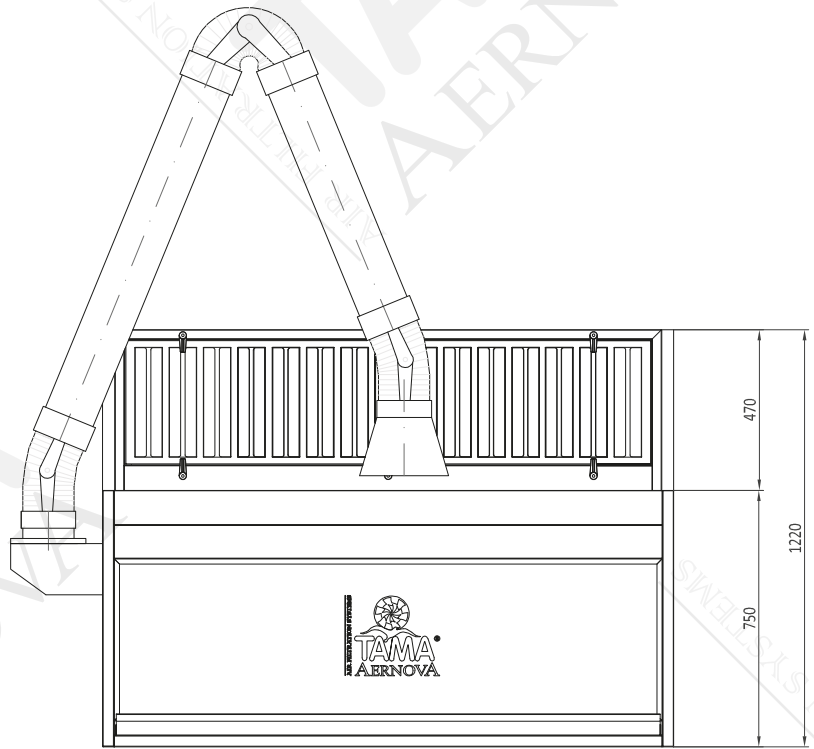
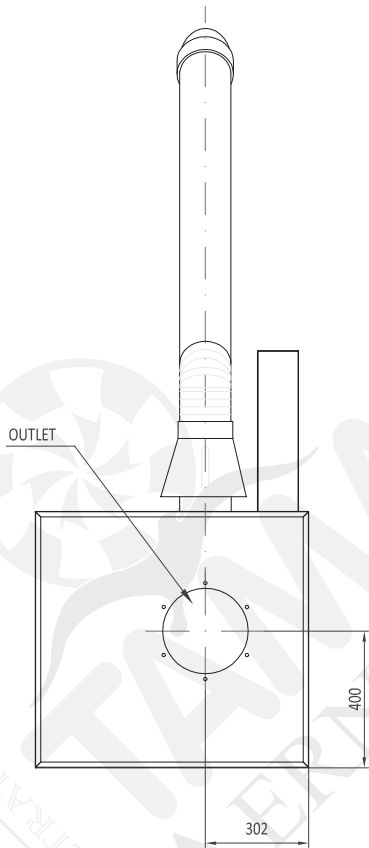
TECHNICAL SPECIFICATIONS		
ITEM	WDR - 1600	
Weight	kg	100
PERFORMANCE CHARACTERISTICS		
Nominal air flow	m <sup>3</sup> /h	1600



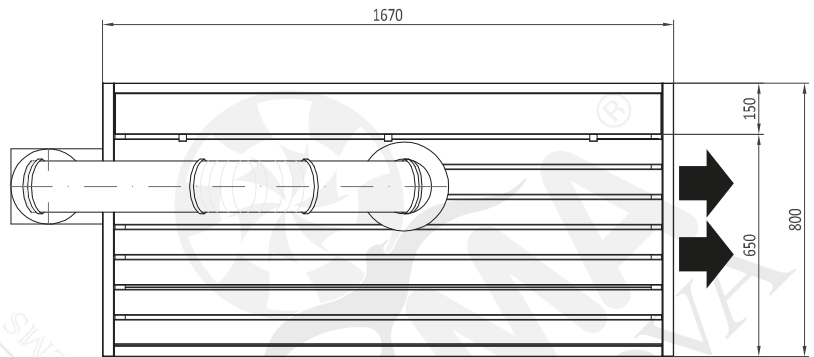
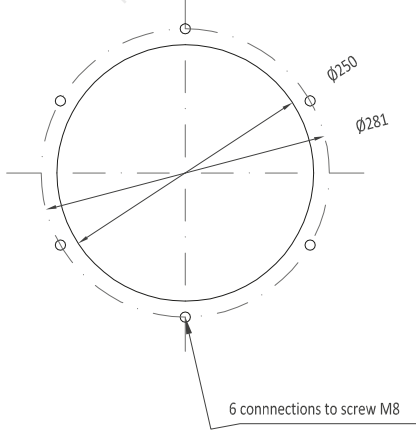
OUTLET FLANGE DETAIL



TECHNICAL SPECIFICATIONS		
ITEM	WDR - 2000	
Weight	kg	130
PERFORMANCE CHARACTERISTICS		
Nominal air flow	m <sup>3</sup> /h	2000



OUTLET FLANGE DETAIL



TECHNICAL SPECIFICATIONS		
ITEM	WDR - 3000	
Weight	kg	160
PERFORMANCE CHARACTERISTICS		
Nominal air flow	m <sup>3</sup> /h	3000